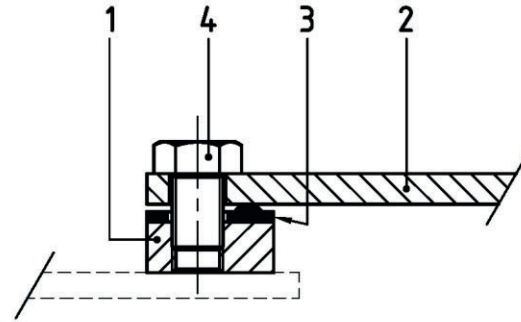
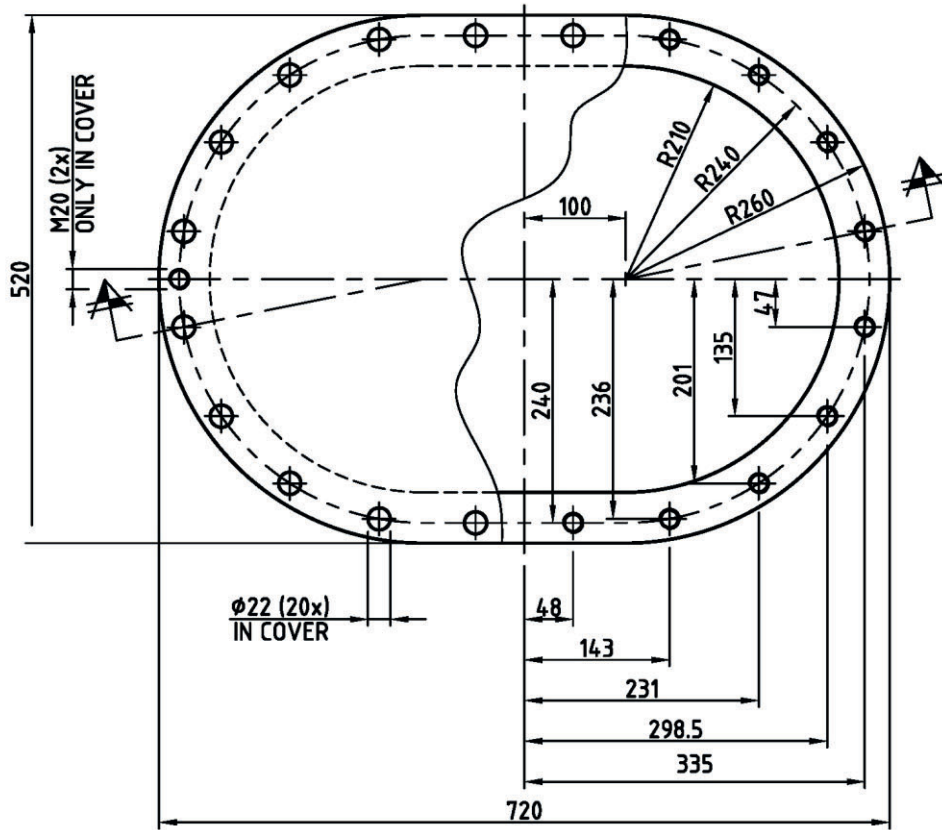
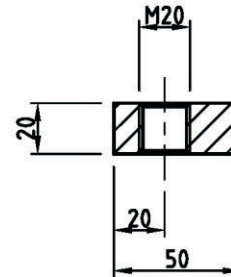




**TOP VIEW**

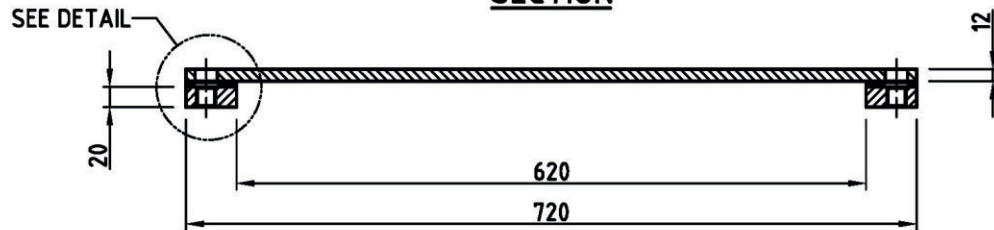


**DETAIL**



PART DATA	
Part no.	51.ST.511.03
Number per component	1
Material	STEEL GRADE A Grade A - LRS
Belonging to drawing	-
Remarks	Sharp edges to be removed

**SECTION**

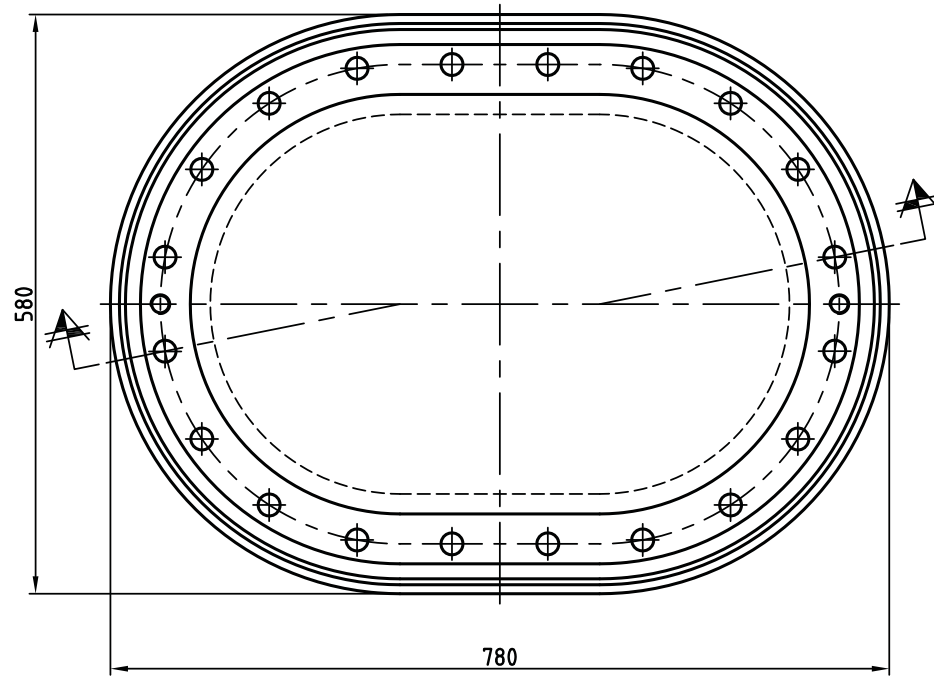
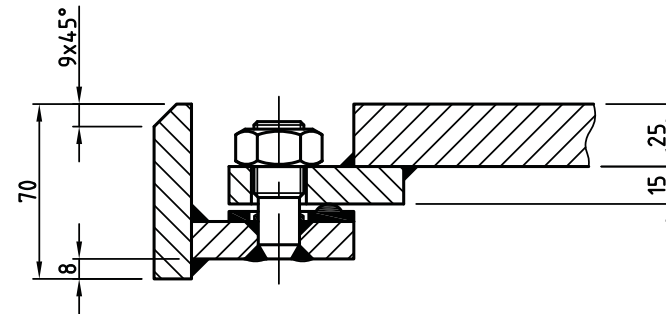


Pos.	Qty.	Description	Material	Type/Drw. No.	Remarks
4	20	Bolt M20x30	Steel 8.8	DIN 933	Hot dipped galv.
3	1	Seal	Nitril	DIN 83403-A	65±5° Shore A
2	1	Manhole cover	Steel Grade A		Part no. 51.ST.511.53
1	1	Manhole ring	Steel Grade A		Part no. 51.ST.511.63

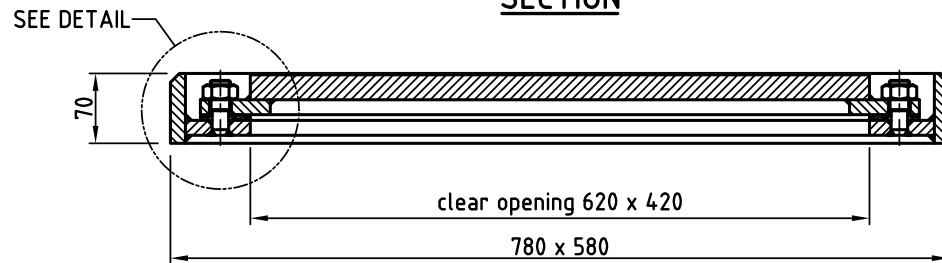
Format	STEEL MANHOLE C/O 600x400		er:	Rev.
A3	TYPE A - OVAL		511.03	B

**THORMARINE**

Drawn : BCS  
Date : 12-02-2005  
Scale : 1:5 / 1:2

TOP VIEWDETAILPART DATA

Part no.	51.ST.511.04
Number per component	1
Material	STEEL GRADE A Grade A - LRS
Belonging to drawing	-
Remarks	Sharp edges to be removed

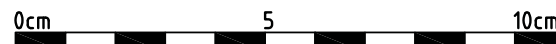
SECTION

5	1	Seal	Nitril	DIN 83403-A	65±5° Shore A
4	20	Nut	Stainless Steel	DIN934 A4-80	
3	20	Stud bolt	Stainless Steel	DIN933 A4-70	Made out of M20x60
2	1	Manhole cover	Steel Grade A	511.54	Part no. 51.ST.511.54
1	1	Manhole ring	Steel Grade A	511.64	Part no. 51.ST.511.64
Pos.	Qty.	Description	Material	Type/Drw. No.	Remarks

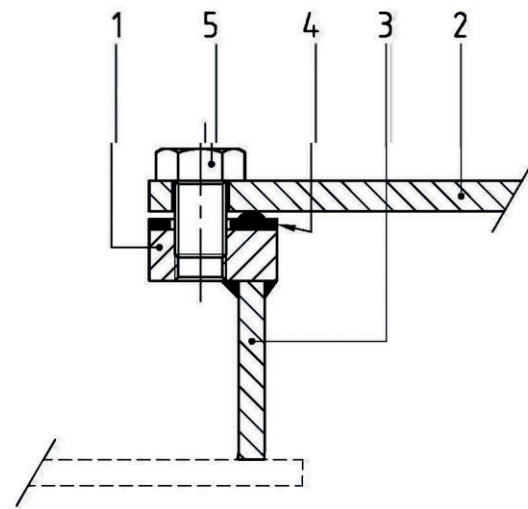
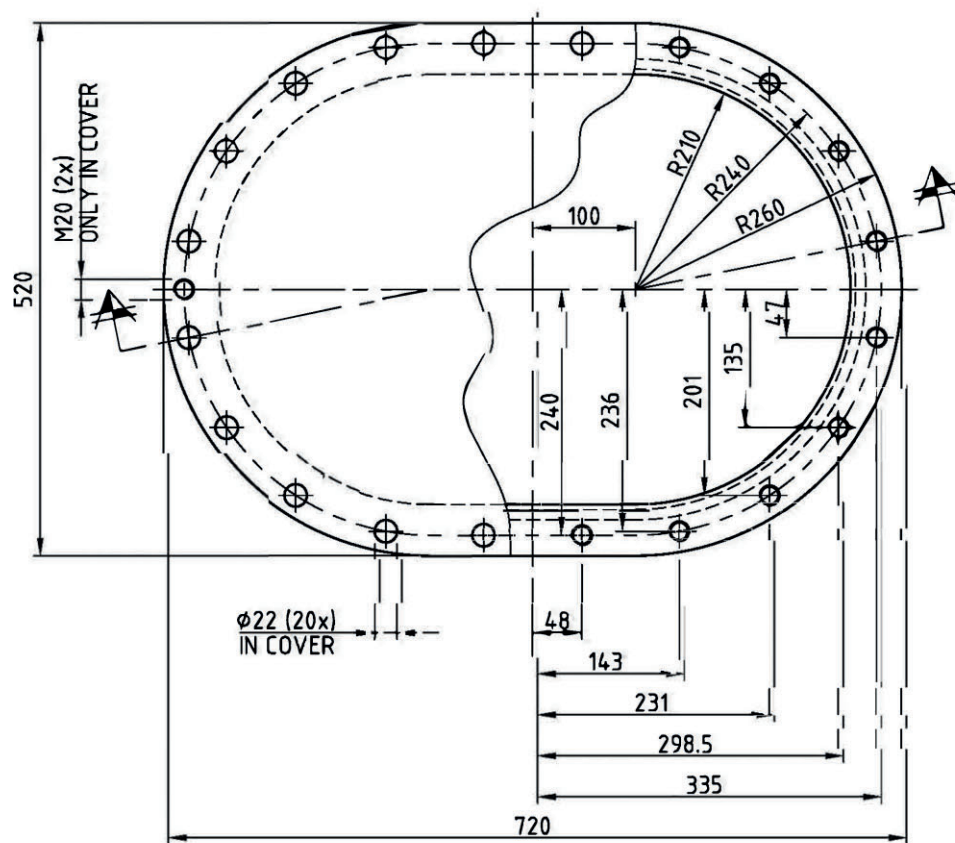
Format	Subject: STEEL MANHOLE C/O 620x420	Drawingnumber:	Rev.
A3	Component: TYPE C FLUSH - OVAL	511.04	C

**THORMARINE**

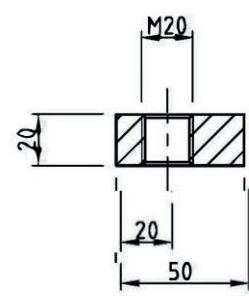
Drawn : BCS  
Date : 12-02-2005  
Scale : 1:5 / 1:2



**TOP VIEW**

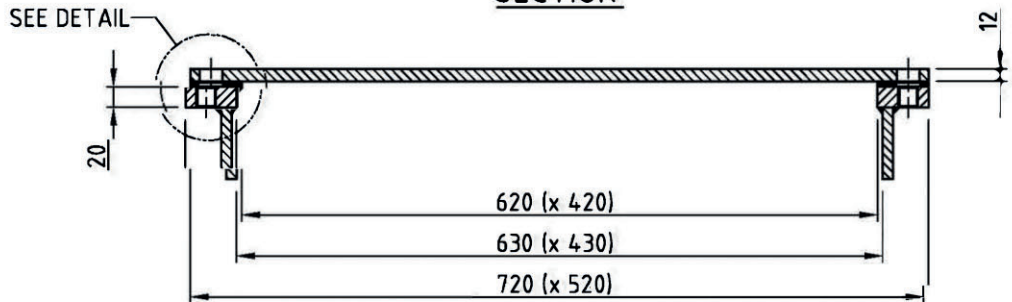


**DETAIL RING**



PART DATA	
Part no.	51.ST.511.05
Number per component	1
Material	STEEL GRADE A Grade A - LRS
Belonging to drawing	-
Remarks	Sharp edges to be removed

**SECTION**



5	20	Bolt M20x30	Steel 8.8	DIN 933	Hot dipped galv.
4	1	Seal	Nitril	DIN 83403-A	65±5° Shore A
3	1	Flat bar 70x10	Steel S235JR		
2	1	Manhole cover	Steel Grade A		Part no. 51.ST.511.53
1	1	Manhole ring	Steel Grade A		Part no. 51.ST.511.63
Pos.	Qty.	Description	Material	Type/Drw. No.	Remarks

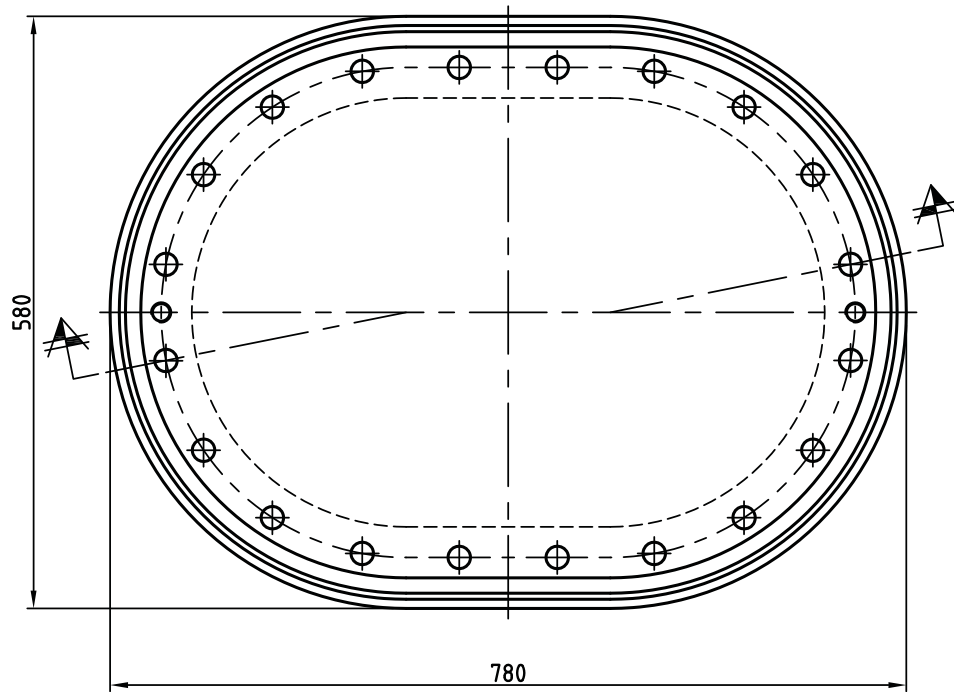
Format	Subject: STEEL MANHOLE C/O 600x400	Drawingnumber:	Rev.
A3	Component: TYPE B - OVAL	511.05	A

**THORMARINE**

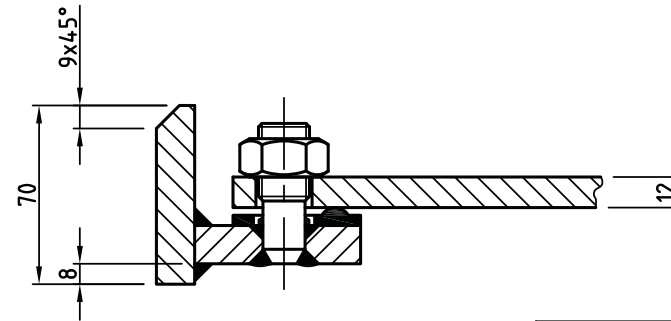
Drawn : BCS  
Date : 27-11-1998  
Scale : 1:5 / 1:2



TOP VIEW

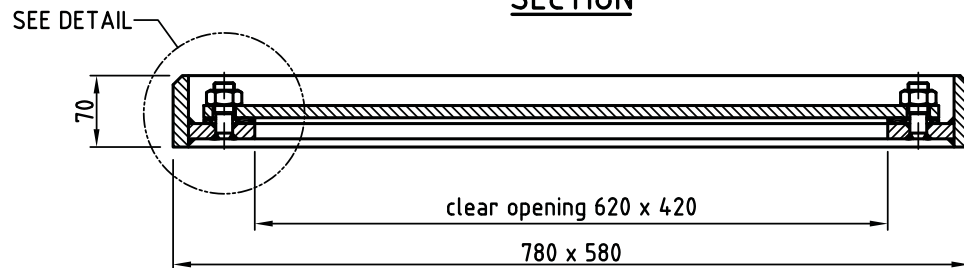


DETAIL



PART DATA	
Part no.	51.ST.511.04
Number per component	1
Material	STEEL GRADE A Grade A - LRS
Belonging to drawing	-
Remarks	Sharp edges to be removed

SECTION



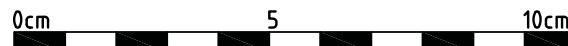
NOTE: FOR DIMENSIONS COVER AND HOLE PATTERN SEE DRAWING 511.03

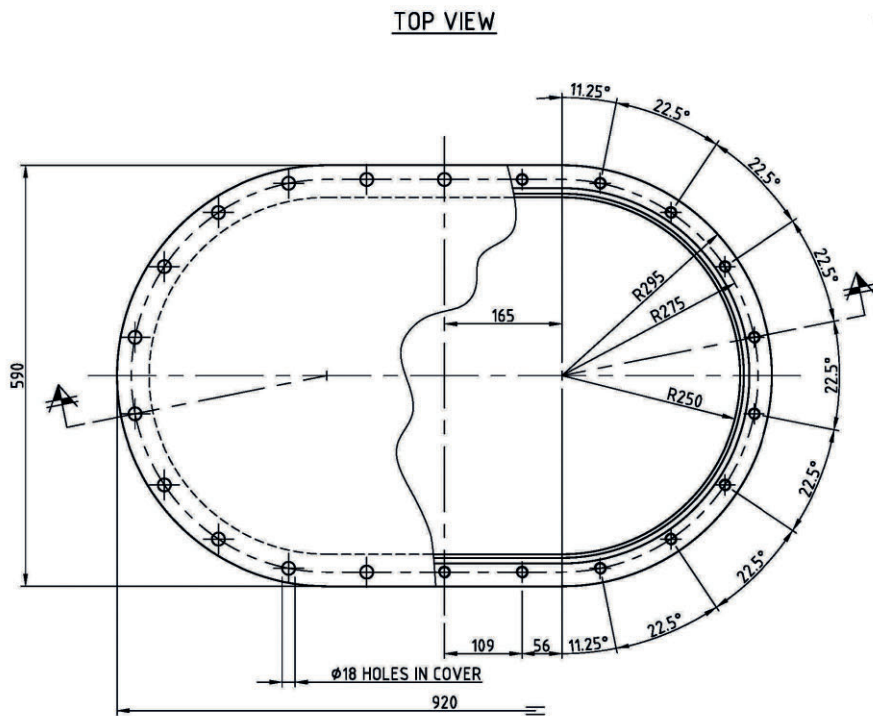
5	1	Seal	Nitril	DIN 83403-A	65±5° Shore A
4	20	Nut	Stainless Steel	DIN934 A4-80	
3	20	Stud bolt	Stainless Steel	DIN933 A4-70	Made out of M20x60
2	1	Manhole cover	Steel Grade A	511.03	Part no. 51.ST.511.53
1	1	Manhole ring	Steel Grade A	511.64	Part no. 51.ST.511.64
Pos.	Qty.	Description	Material	Type/Drw. No.	Remarks

Format	Subject: STEEL MANHOLE C/O 620x420	Drawingnumber:	Rev.
A3	Component: TYPE D FLUSH - OVAL	511.06	C

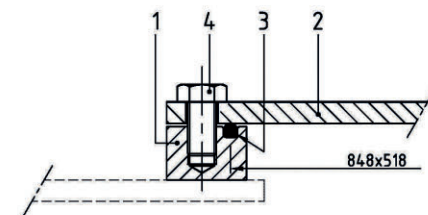
**THORMARINE**

Drawn : BCS  
Date : 12-02-2005  
Scale : 1:5 / 1:2

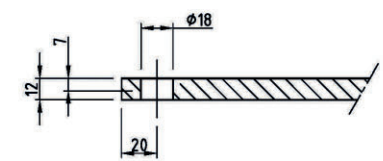




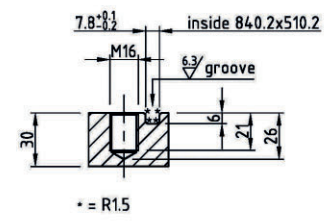
√ (6.3)



**DETAIL COVER**

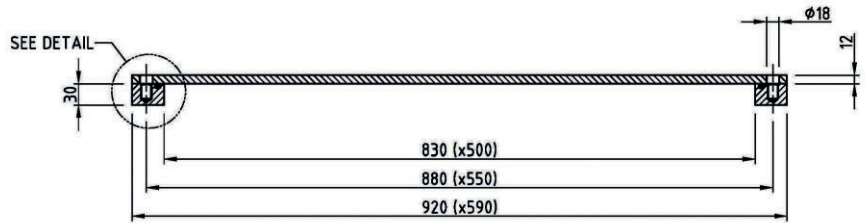


**DETAIL**



PART DATA	
Part no.	51.ST.511.07
Number per component	1
Material	STEEL GRADE A Grade A - LRS
Belonging to drawing	-
Remarks	Sharp edges to be removed

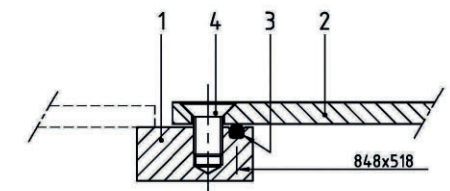
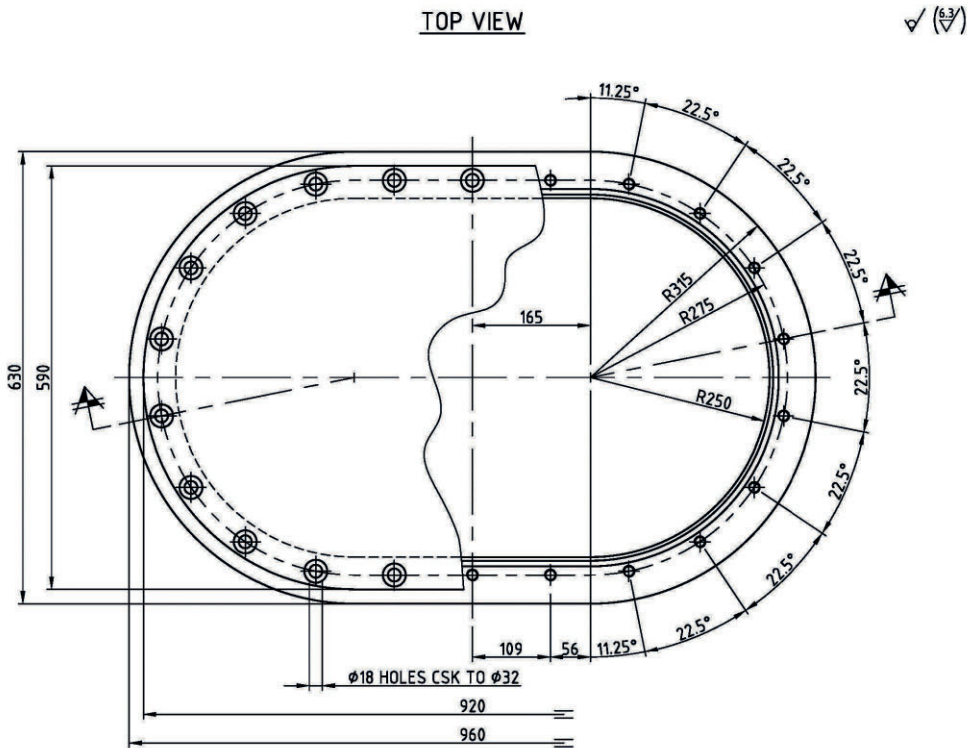
**SECTION**



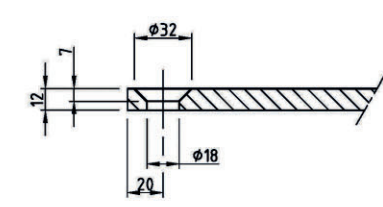
Pos.	Qty.	Description	Material	Type/Drw. No.	Remarks
4	22	Bolt M16x30	Steel 8.8	DIN 933	Hot dipped galv.
3	1	Seal Ø8mm	Nitril (NBR)		70° Shore A
2	1	Manhole cover	Steel Grade A		
1	1	Manhole ring	Steel Grade A		

Format	Subject:	STEEL MANHOLE C/O 830x500	Drawingnumber:	Rev.
A2	Component:	TYPE E-OVAL MANHOLE	511.07	B
THORMARINE			Drawn :	BCS
			Date :	20-11-1998
			Scale :	1:5 / 1:2

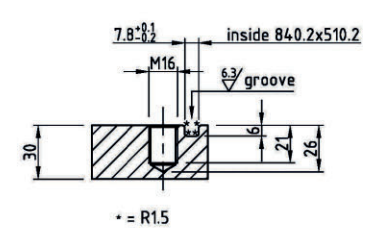




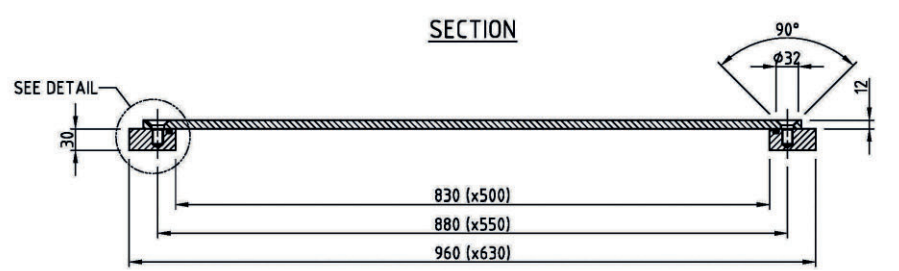
**DETAIL COVER**



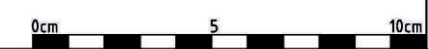
**DETAIL**



PART DATA	
Part no.	51.ST.511.08
Number per component	1
Material	STEEL GRADE A Grade A - LRS
Belonging to drawing	-
Remarks	Sharp edges to be removed

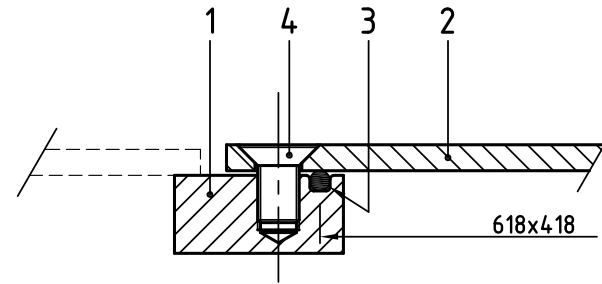
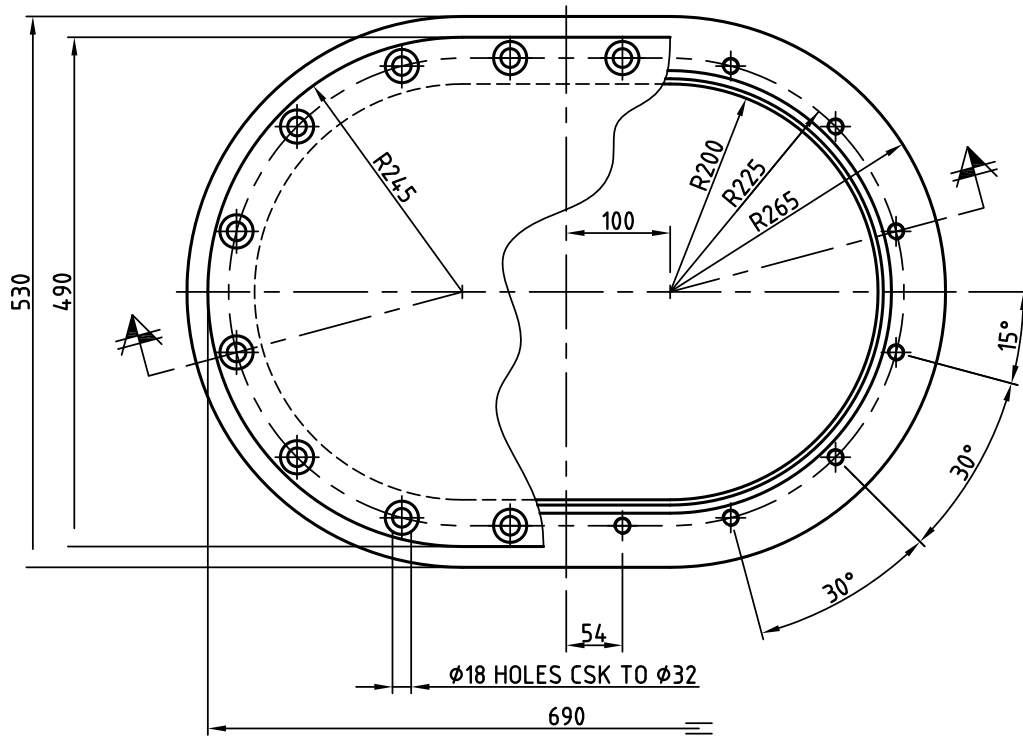


4	22	Bolt M16x30	Steel 8.8	DIN 7991	Hot dipped galv.	
3	1	Seal Ø8mm	Nitril (NBR)		70° Shore A	
2	1	Manhole cover	Steel Grade A			
1	1	Manhole ring	Steel Grade A			
Pos.	Qty.	Description	Material	Type/Drw. No.	Remarks	
Format		Subject: STEEL MANHOLE C/O 830x500			Drawingnumber:	Rev.
A2		Component: TYPE F-OVAL FLUSH MANHOLE			511.08	B
THORMARINE						
Drawn : BCS						
Date : 19-06-2008						
Scale : 15 / 12						

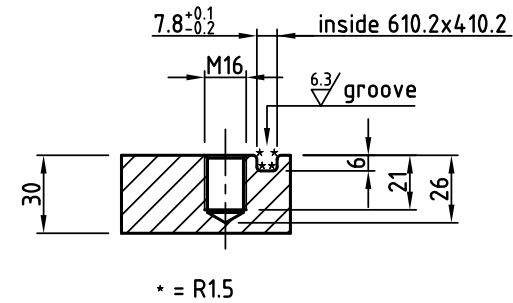


**TOP VIEW**

6.3

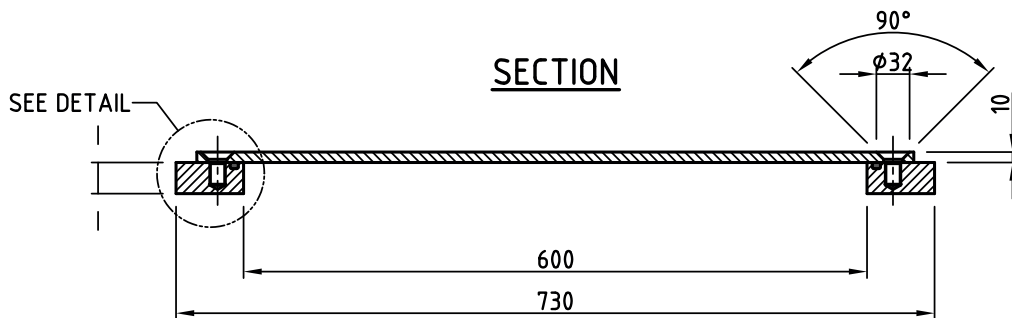


**DETAIL**



PART DATA	
Part no.	51.ST.511.11
Number per component	1
Material	STEEL GRADE A Grade A - LRS
Belonging to drawing	-
Remarks	Sharp edges to be removed

**SECTION**

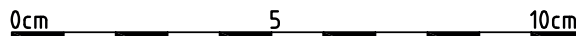


Pos.	Qty.	Description	Material	Type/Drw. No.	Remarks
4	16	Bolt M16x30	Steel 8.8	DIN 7991	Hot dipped galv.
3	1	Seal Ø8 L=1713	Nitril		NBR 70° Shore A
2	1	Manhole cover	Steel Grade A		
1	1	Manhole ring	Steel Grade A		

Format	Subject:	STEEL MANHOLE C/O 600x400	Drawingnumber:	Rev.
A3	Component:	TYPE G - OVAL	511.11	A

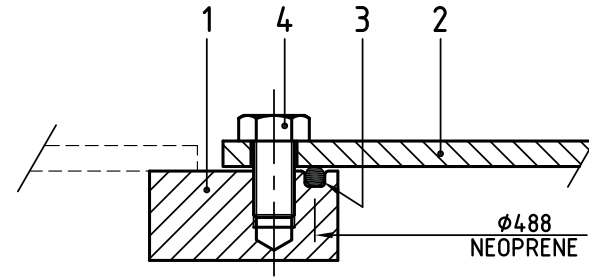
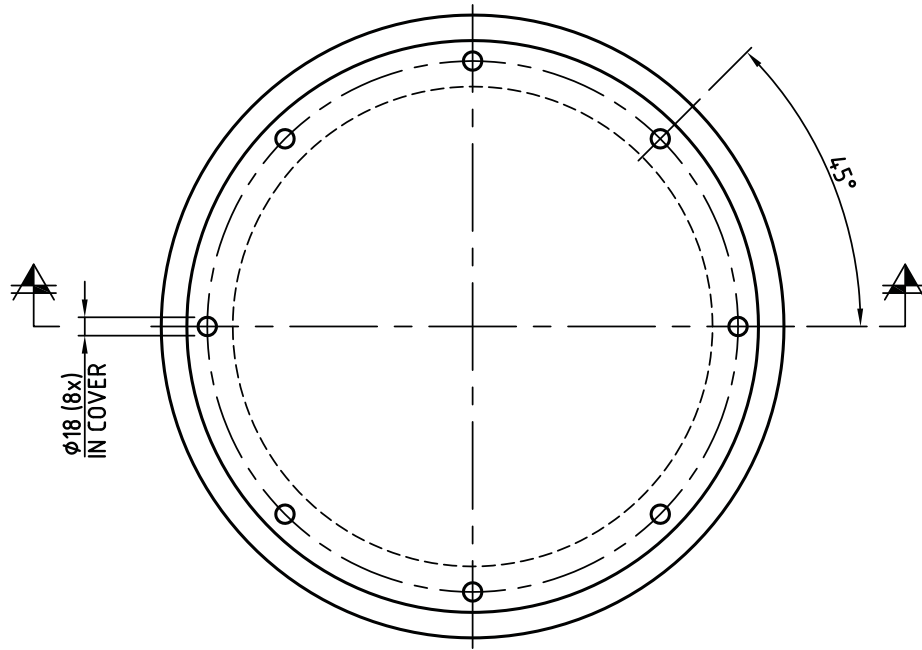
**THORMARINE**

Drawn : BCS  
Date : 29-06-2009  
Scale : 1:5 / 1:2

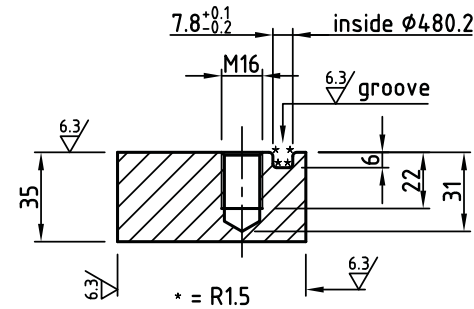


**TOP VIEW**

∇ (6.3/)

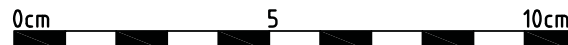
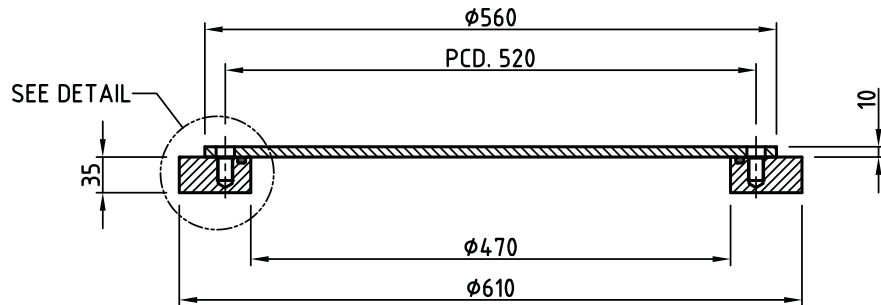


**DETAIL**



PART DATA	
Part no.	51.ST.511.01
Number per component	1
Material	STEEL GRADE A Grade A - LRS
Belonging to drawing	-
Remarks	Sharp edges to be removed

**SECTION**



4	8	Bolt M16x30	Steel 8.8	DIN 933	Hot dipped galv.
3	1	Seal 8	Nitril		NBR 70° Shore A
2	1	Manhole cover	Steel Grade A		
1	1	Manhole ring	Steel Grade A		
Pos.	Qty.	Description	Material	Type/Drw. No.	Remarks

Format	Subject:	STEEL MANHOLE C/O 470	Drawingnumber:	Rev.
A3	Component:	TYPE A FLUSH - 8 BOLTS	511.01	B

**THORMARINE**

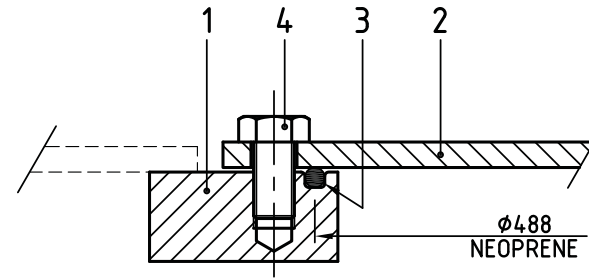
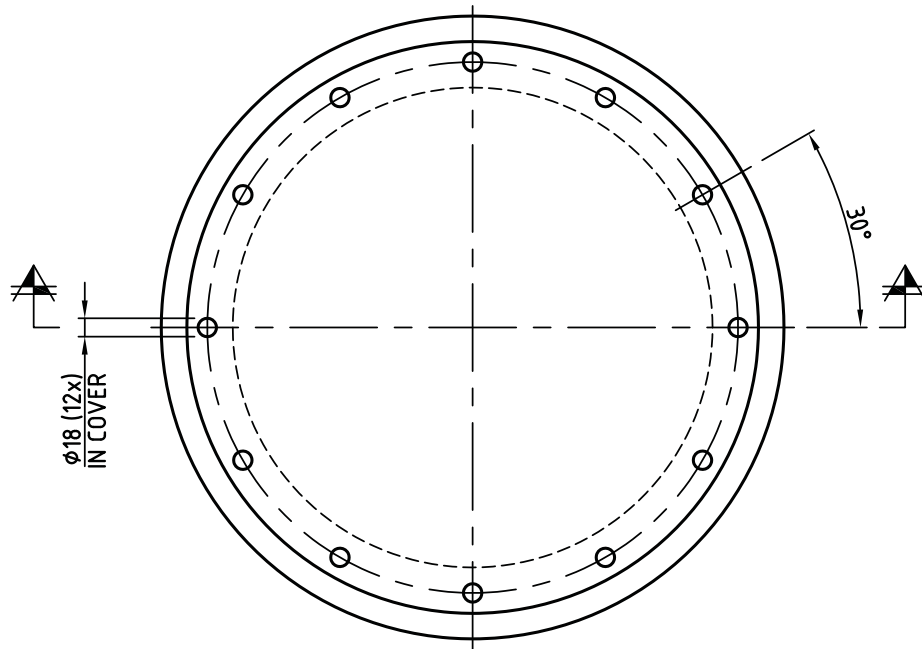
Drawn : BCS  
Date : 12-02-2005  
Scale : 1:5 / 1:2



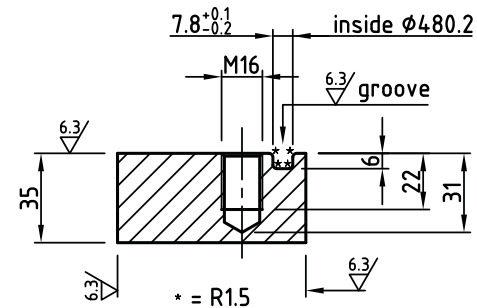
10

**TOP VIEW**

∇ (6.3)

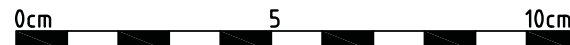
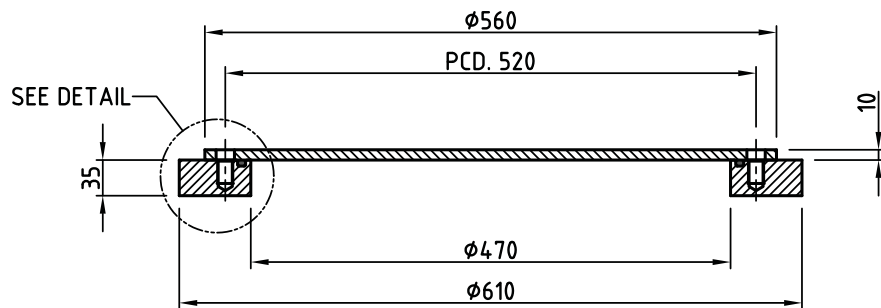


**DETAIL**



PART DATA	
Part no.	51.ST.511.02
Number per component	1
Material	STEEL GRADE A Grade A - LRS
Belonging to drawing	-
Remarks	Sharp edges to be removed

**SECTION**



4	12	Bolt M16x30	Steel 8.8	DIN 933	Hot dipped galv.
3	1	Seal Ø8	Nitril		NBR 70° Shore A
2	1	Manhole cover	Steel Grade A		
1	1	Manhole ring	Steel Grade A		
Pos.	Qty.	Description	Material	Type/Drw. No.	Remarks

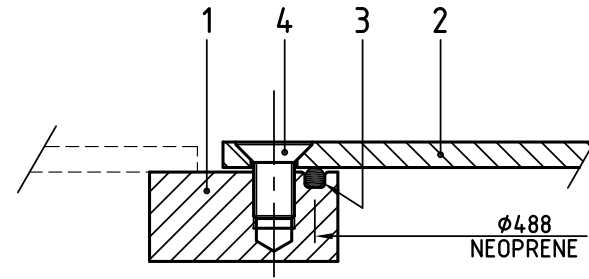
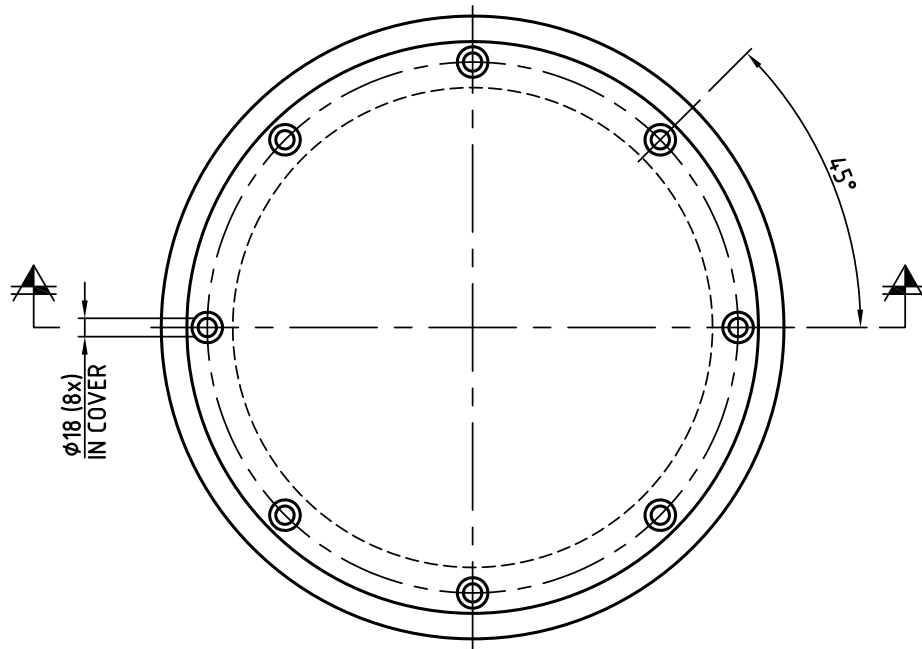
Format	Subject:	STEEL MANHOLE C/O Ø470	Drawingnumber:	Rev.
A3	Component:	TYPE A FLUSH - 12 BOLTS	511.02	C

**THORMARINE**

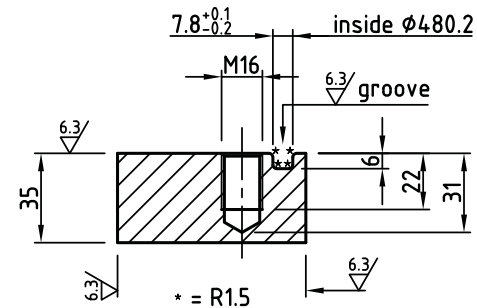
Drawn : BCS  
Date : 12-02-2005  
Scale : 1:5 / 1:2

**TOP VIEW**

∇ (6.3)

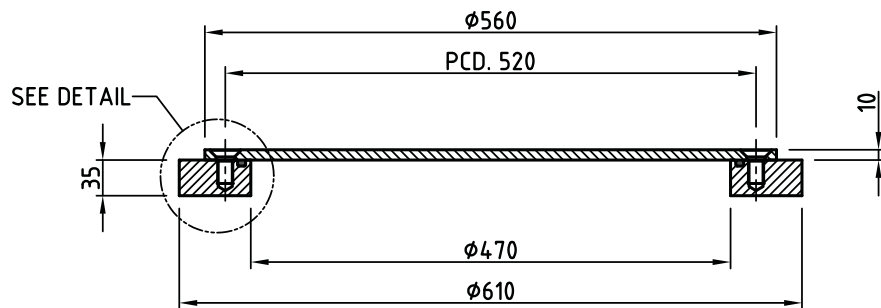


**DETAIL**



PART DATA	
Part no.	51.ST.512.01
Number per component	1
Material	STEEL GRADE A Grade A - LRS
Belonging to drawing	-
Remarks	Sharp edges to be removed

**SECTION**

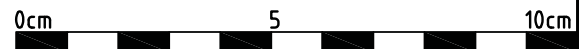


Pos.	Qty.	Description	Material	Type/Drw. No.	Remarks
4	8	Bolt M16x30	Steel 8.8	DIN 7991	Hot dipped galv.
3	1	Seal Ø8	Nitril		NBR 70° Shore A
2	1	Manhole cover	Steel Grade A		
1	1	Manhole ring	Steel Grade A		

Format	Subject: STEEL MANHOLE C/O Ø470	Drawingnumber:	Rev.
A3	Component: TYPE B FLUSH - 8 BOLTS	512.01	C

**THORMARINE**

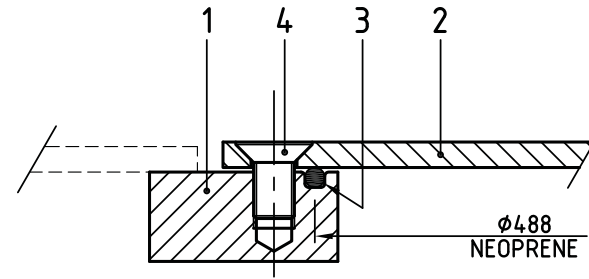
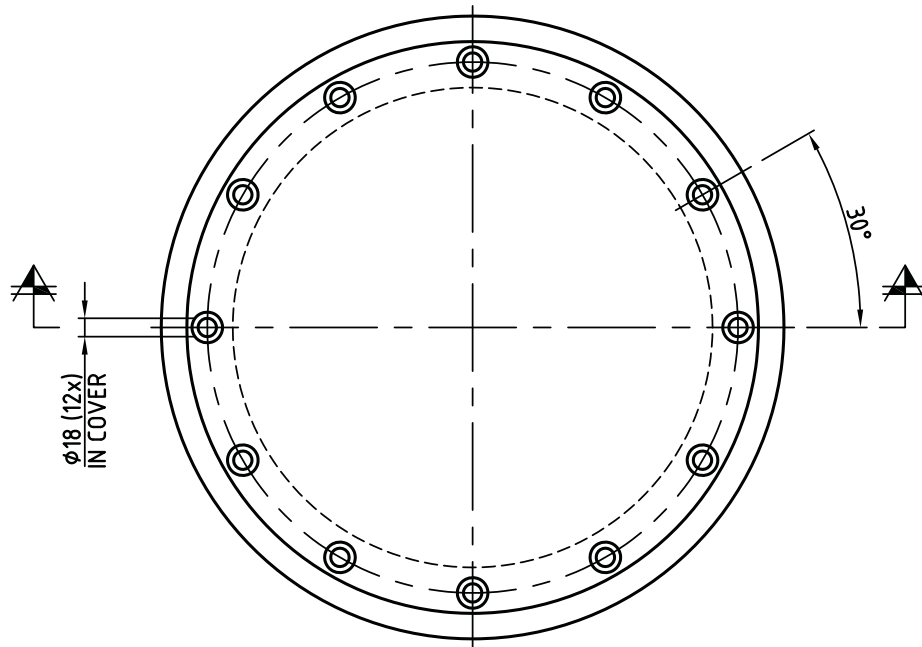
Drawn : BCS  
Date : 12-02-2005  
Scale : 1:5 / 1:2



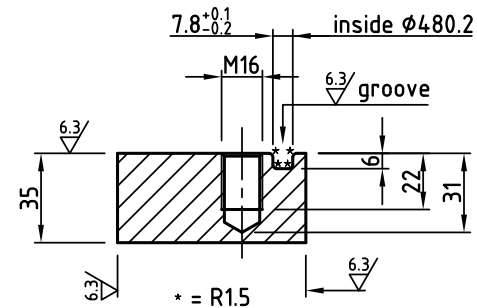
11

**TOP VIEW**

∇ (6.3)

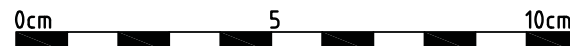
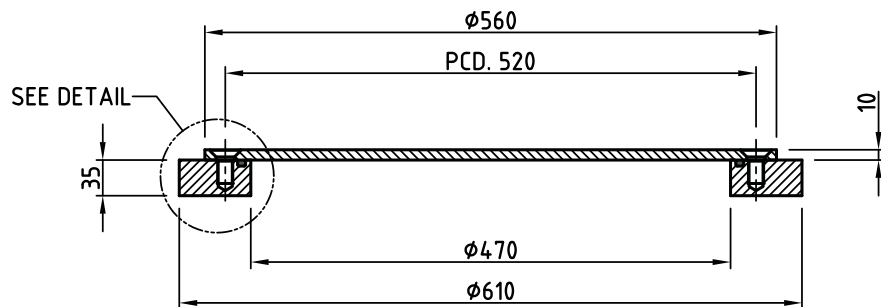


**DETAIL**



PART DATA	
Part no.	51.ST.512.02
Number per component	1
Material	STEEL GRADE A Grade A - LRS
Belonging to drawing	-
Remarks	Sharp edges to be removed

**SECTION**



4	12	Bolt M16x30	Steel 8.8	DIN 7991	Hot dipped galv.
3	1	Seal φ8	Nitril		NBR 70° Shore A
2	1	Manhole cover	Steel Grade A		
1	1	Manhole ring	Steel Grade A		
Pos.	Qty.	Description	Material	Type/Drw. No.	Remarks

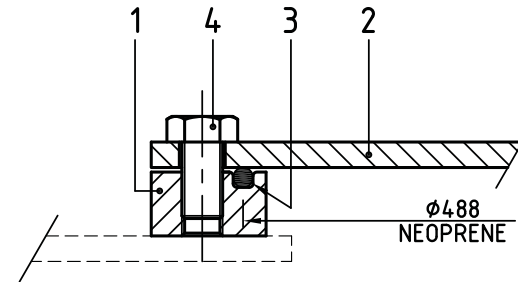
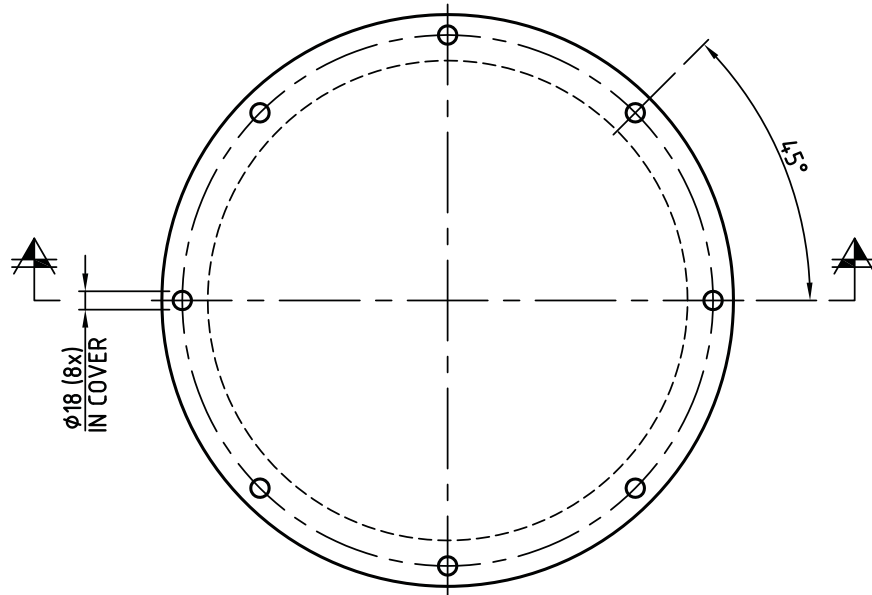
Format	Subject:	STEEL MANHOLE C/O φ470	Drawingnumber:	Rev.
A3	Component:	TYPE B FLUSH - 12 BOLTS	512.02	C

**THORMARINE**

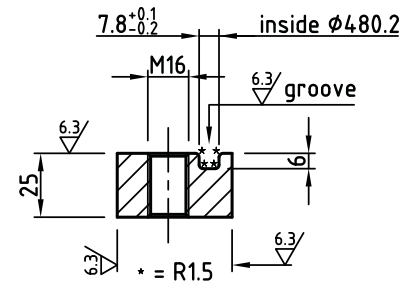
Drawn : BCS  
Date : 12-02-2005  
Scale : 1:5 / 1:2

**TOP VIEW**

∇ (6.3)

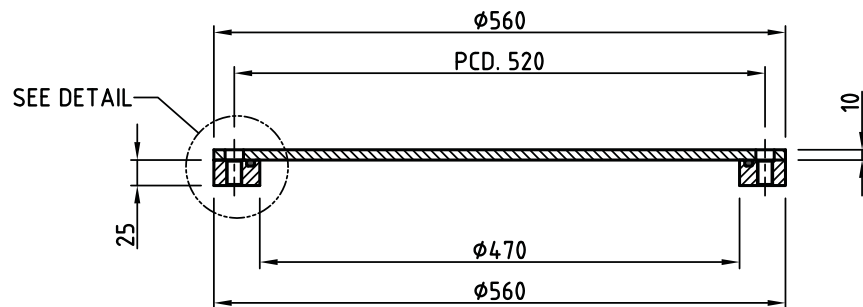


**DETAIL**



PART DATA	
Part no.	51.ST.513.01
Number per component	1
Material	STEEL GRADE A Grade A - LRS
Belonging to drawing	-
Remarks	Sharp edges to be removed

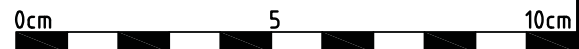
**SECTION**



Pos.	Qty.	Description	Material	Type/Drw. No.	Remarks
4	8	Bolt M16x30	Steel 8.8	DIN 933	Hot dipped galv.
3	1	Seal Ø8	Nitril		NBR 70° Shore A
2	1	Manhole cover	Steel Grade A		
1	1	Manhole ring	Steel Grade A		

Format	Subject: STEEL MANHOLE C/O Ø450	Drawingnumber:	Rev.
A3	Component: TYPE C - 8 BOLTS	513.01	C

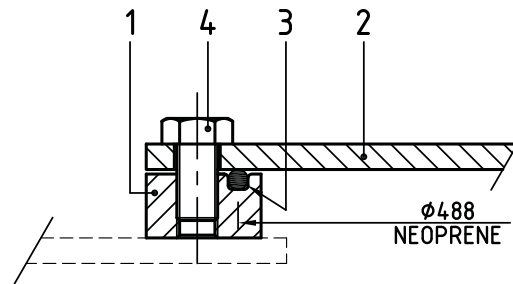
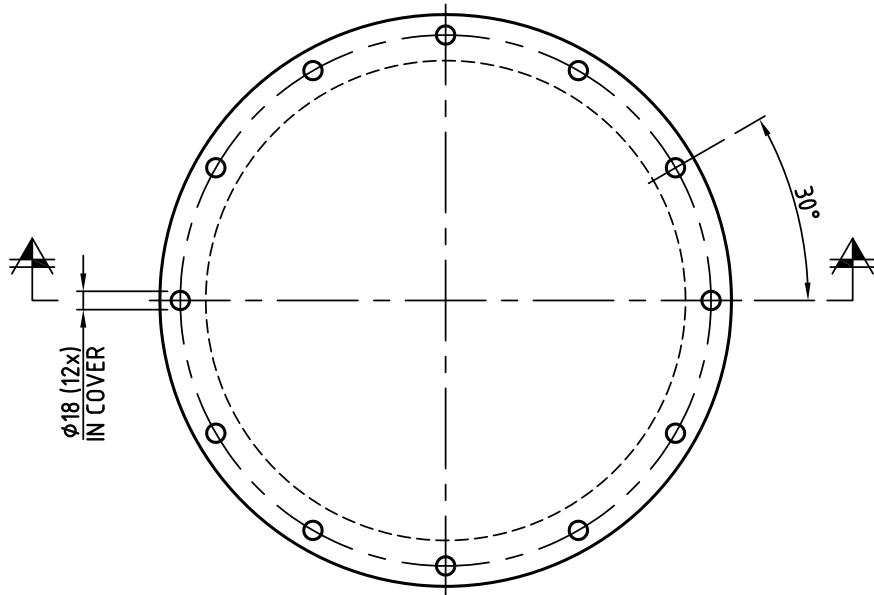
**THORMARINE**



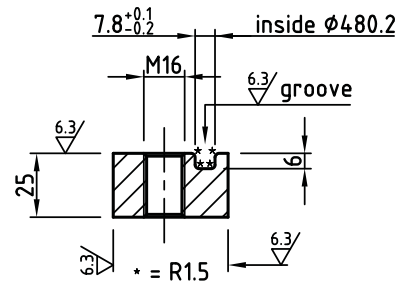
Drawn : BCS  
Date : 12-02-2005  
Scale : 1:5 / 1:2

**TOP VIEW**

∇ (6.3)

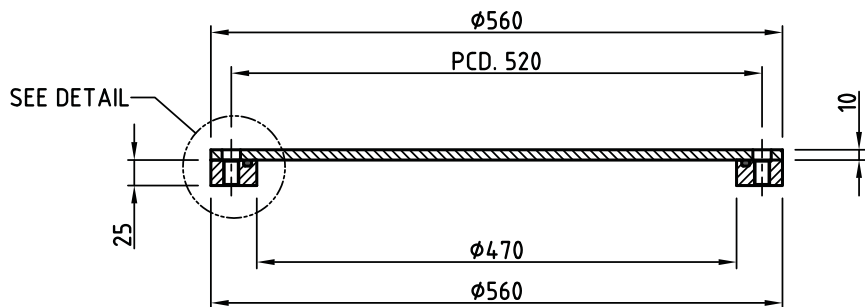


**DETAIL**



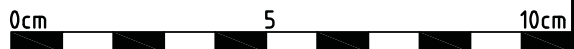
PART DATA	
Part no.	51.ST.513.02
Number per component	1
Material	STEEL GRADE A Grade A - LRS
Belonging to drawing	-
Remarks	Sharp edges to be removed

**SECTION**



4	12	Bolt M16x30	Steel 8.8	DIN 933	Hot dipped galv.
3	1	Seal φ8	Nitril		NBR 70° Shore A
2	1	Manhole cover	Steel Grade A		
1	1	Manhole ring	Steel Grade A		
Pos.	Qty.	Description	Material	Type/Drw. No.	Remarks

Format	Subject:	STEEL MANHOLE C/O φ450	Drawingnumber:	Rev.
A3	Component:	TYPE C - 12 BOLTS	513.02	C



**THORMARINE**

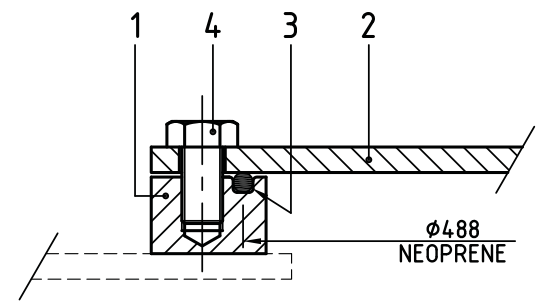
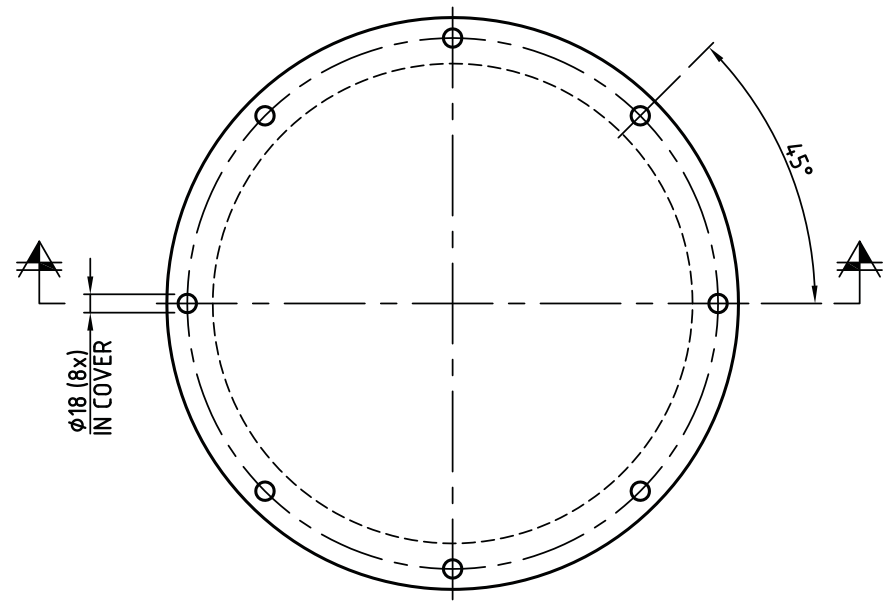
Drawn : BCS  
Date : 12-02-2005  
Scale : 1:5 / 1:2



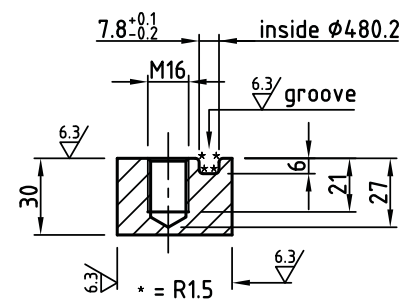
15

**TOP VIEW**

∇ (6.3)

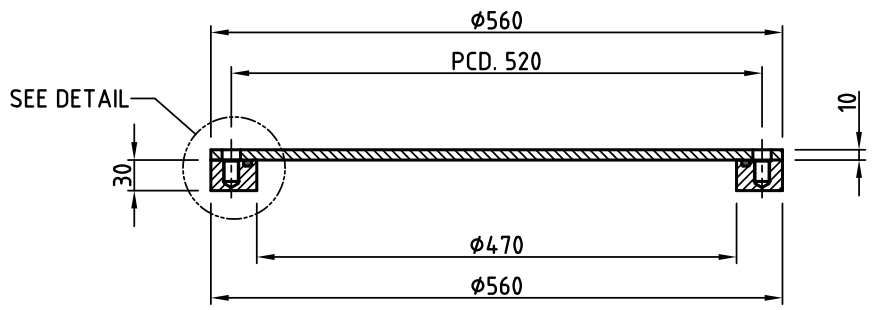


**DETAIL**



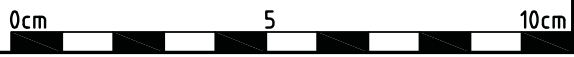
PART DATA	
Part no.	51.ST.513.05
Number per component	1
Material	STEEL GRADE A Grade A - LRS
Belonging to drawing	-
Remarks	Sharp edges to be removed

**SECTION**



4	8	Bolt M16x30	Steel 8.8	DIN 933	Hot dipped galv.
3	1	Seal φ8	Nitril		NBR 70° Shore A
2	1	Manhole cover	Steel Grade A		
1	1	Manhole ring	Steel Grade A		
Pos.	Qty.	Description	Material	Type/Drw. No.	Remarks

Format	Subject:	STEEL MANHOLE C/O φ450	Drawingnumber:	Rev.
A3	Component:	TYPE D - 8 BOLTS	513.05	B

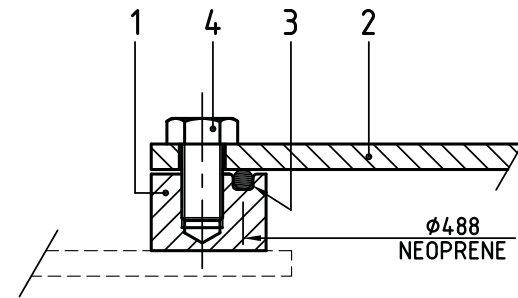
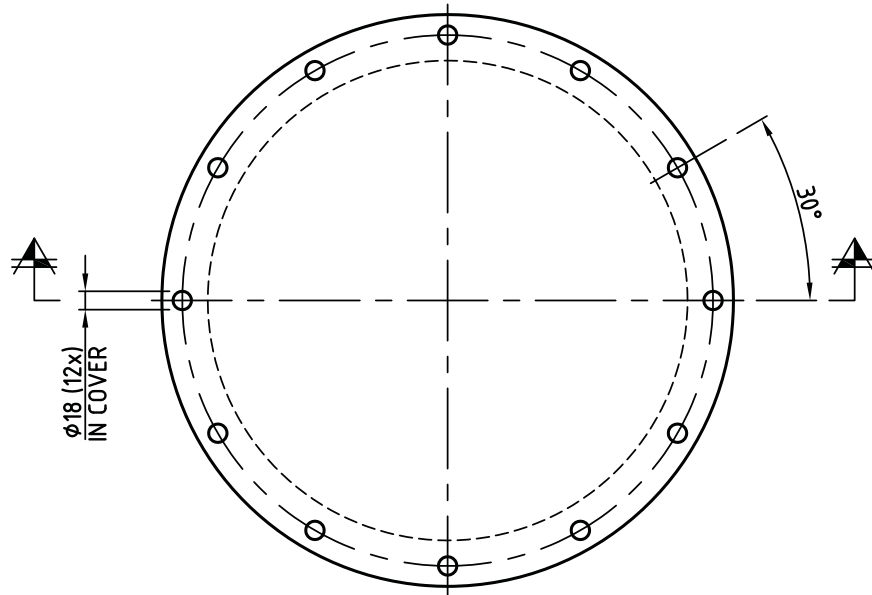


**THORMARINE**

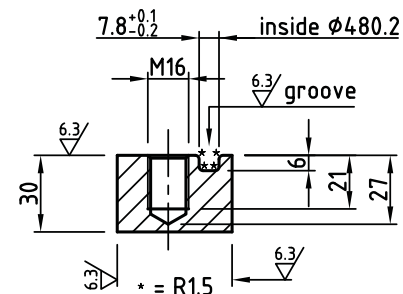
Drawn : BCS  
Date : 12-02-2005  
Scale : 1:5 / 1:2

**TOP VIEW**

∇ (6.3)

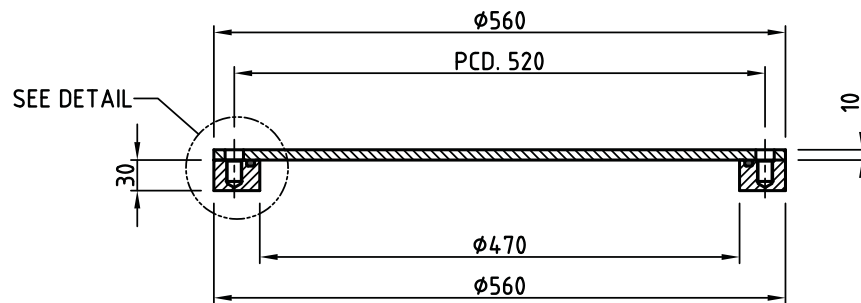


**DETAIL**



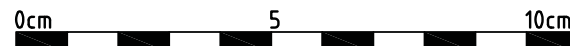
PART DATA	
Part no.	51.ST.513.06
Number per component	1
Material	STEEL GRADE A Grade A - LRS
Belonging to drawing	-
Remarks	Sharp edges to be removed

**SECTION**



4	12	Bolt M16x30	Steel 8.8	DIN 933	Hot dipped galv.
3	1	Seal φ8	Nitril		NBR 70° Shore A
2	1	Manhole cover	Steel Grade A		
1	1	Manhole ring	Steel Grade A		
Pos.	Qty.	Description	Material	Type/Drw. No.	Remarks

Format	Subject:	STEEL MANHOLE C/O φ450	Drawingnumber:	Rev.
A3	Component:	TYPE D - 12 BOLTS	513.06	B

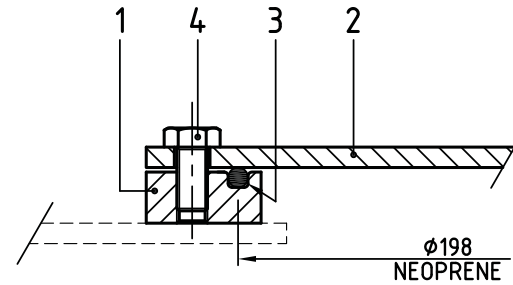
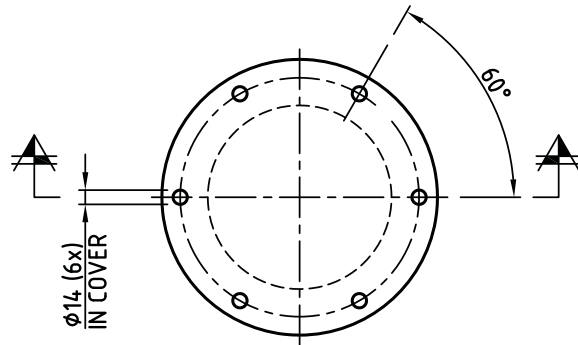


**THORMARINE**

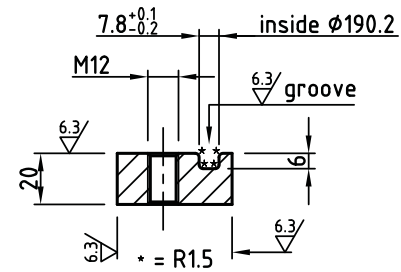
Drawn : BCS  
Date : 12-02-2005  
Scale : 1:5 / 1:2

∇ (6.3)

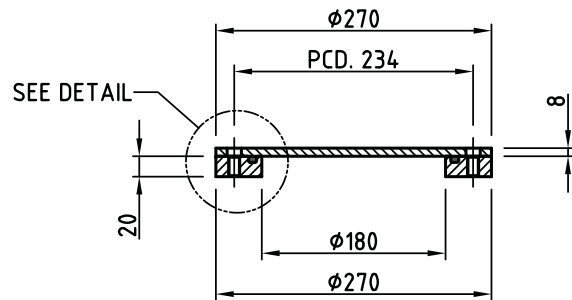
**TOP VIEW**



**DETAIL**



**SECTION**

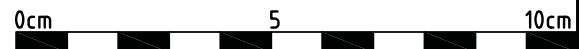


PART DATA	
Part no.	51.ST.510.01
Number per component	1
Material	STEEL GRADE A Grade A - LRS
Belonging to drawing	-
Remarks	Sharp edges to be removed

Pos.	Qty.	Description	Material	Type/Drw. No.	Remarks
4	6	Bolt M12x25	Steel 8.8	DIN 933	Hot dipped galv.
3	1	Seal Ø8	Nitril		NBR 70° Shore A
2	1	Manhole cover	Steel Grade A		
1	1	Manhole ring	Steel Grade A		

Format	Subject: STEEL HANDHOLE C/O Ø160	Drawingnumber:	Rev.
A3	Component: TYPE R - 6 BOLTS	510.01	B

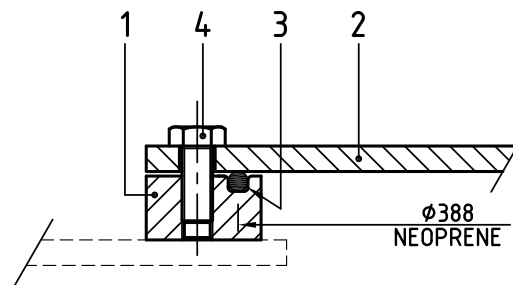
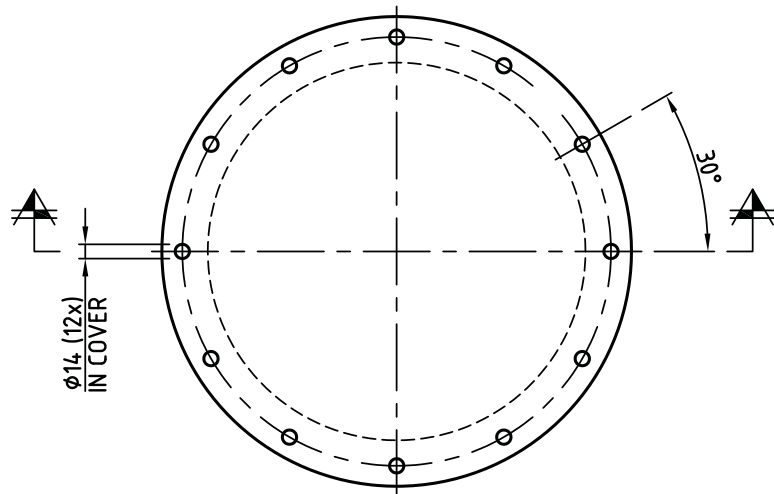
**THORMARINE**



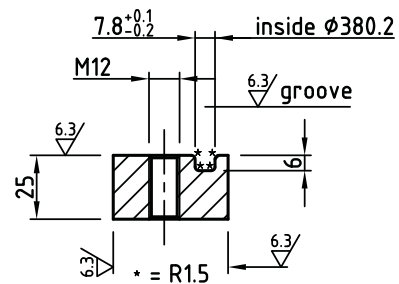
Drawn : BCS  
Date : 12-02-2005  
Scale : 1:5 / 1:2

**TOP VIEW**

∇ (6.3)

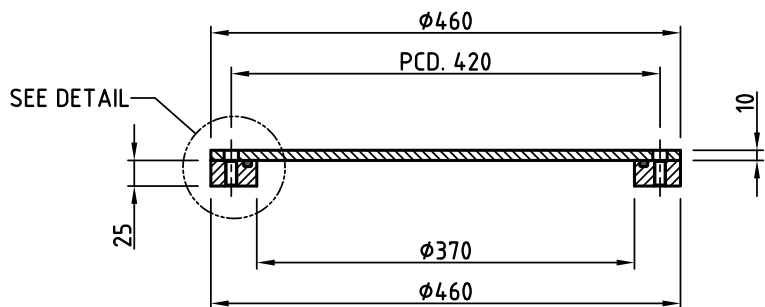


**DETAIL**



PART DATA	
Part no.	51.ST.510.03
Number per component	1
Material	STEEL GRADE A Grade A - LRS
Belonging to drawing	-
Remarks	Sharp edges to be removed

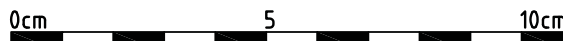
**SECTION**



4	12	Bolt M12x30	Steel 8.8	DIN 933	Hot dipped galv.
3	1	Seal Ø8	Nitril		NBR 70° Shore A
2	1	Manhole cover	Steel Grade A		
1	1	Manhole ring	Steel Grade A		
Pos.	Qty.	Description	Material	Type/Drw. No.	Remarks

Format	Subject:	STEEL MANHOLE C/O Ø350	Drawingnumber:	Rev.
A3	Component:	TYPE T - 12 BOLTS	510.03	-

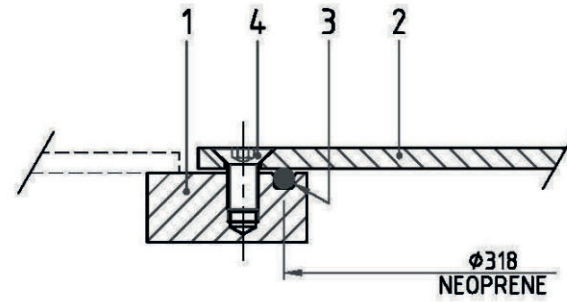
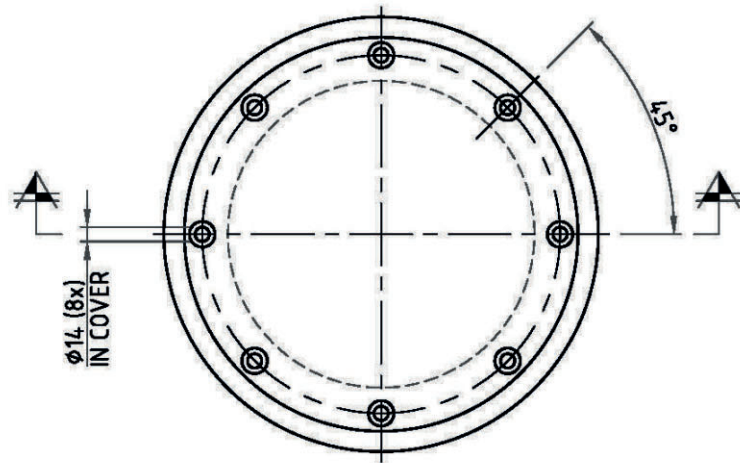
**THORMARINE**



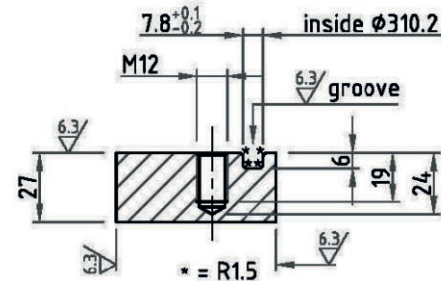
Drawn : BCS  
Date : 12-02-2005  
Scale : 1:5 / 1:2

✓ (6.3)

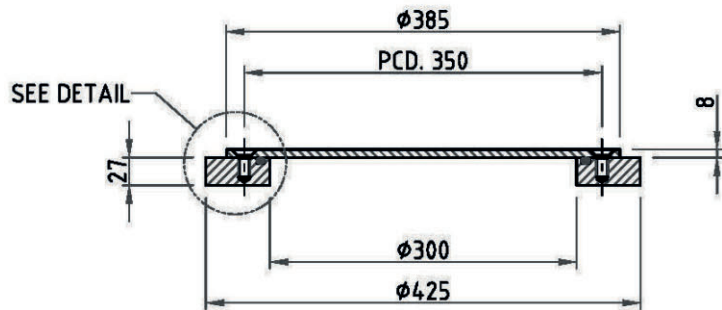
**TOP VIEW**



**DETAIL**



**SECTION**



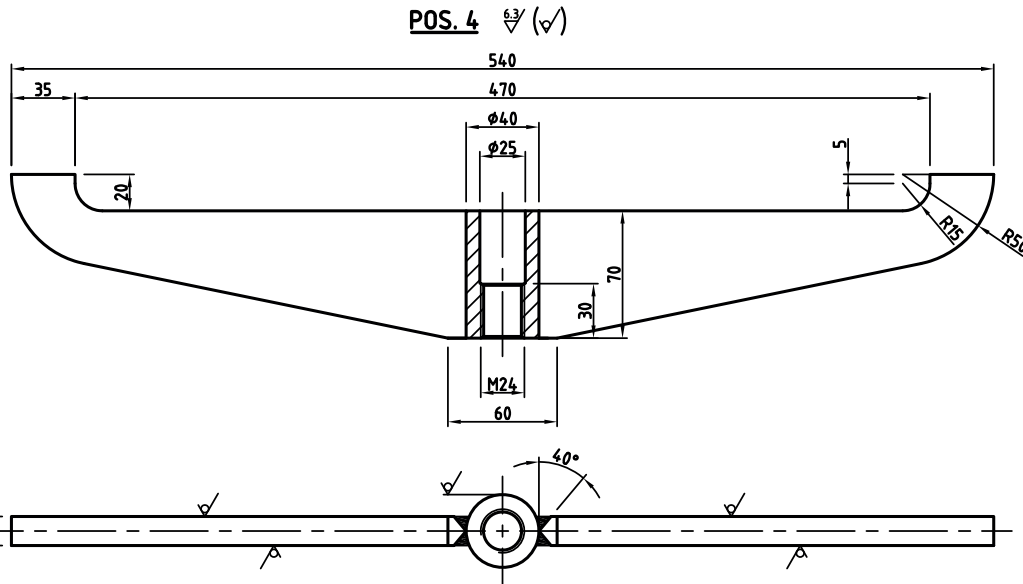
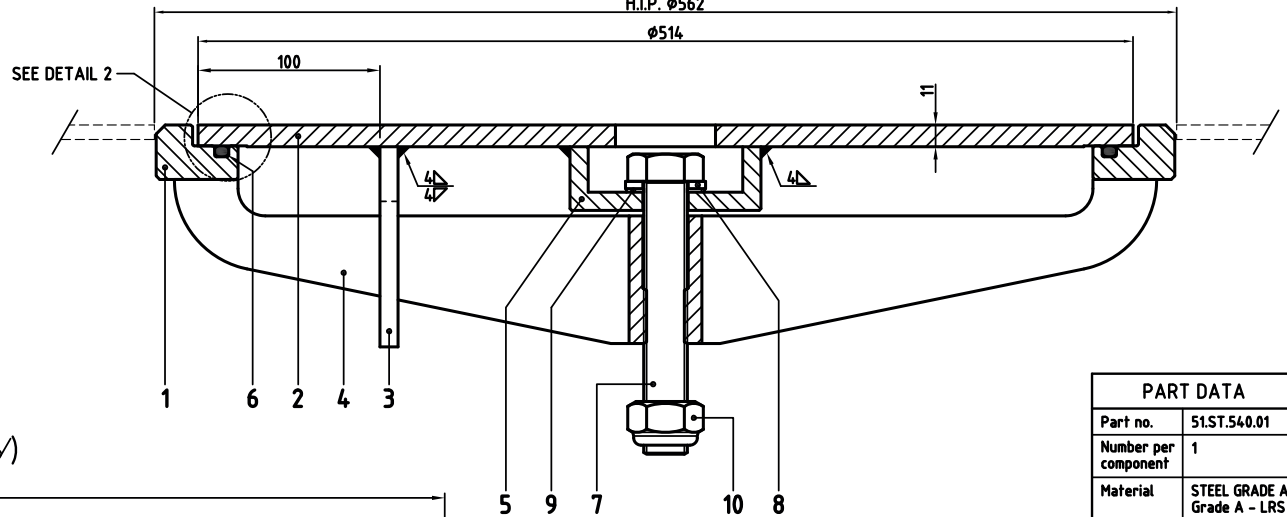
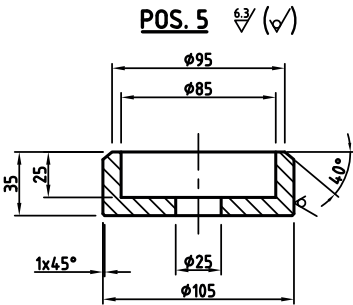
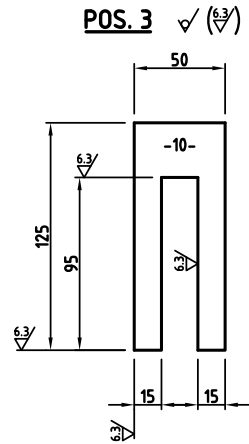
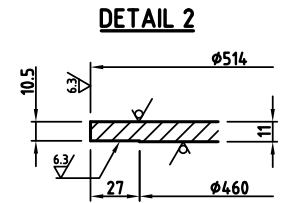
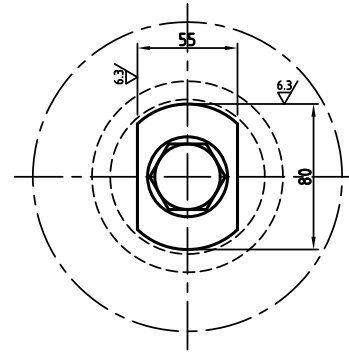
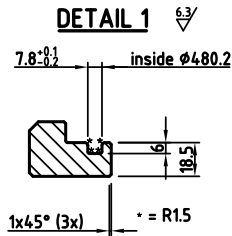
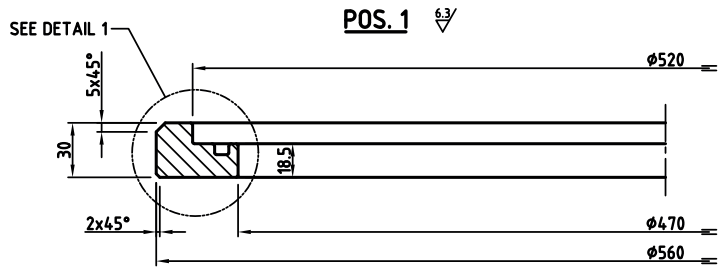
PART DATA	
Part no.	51.ST.510.05
Number per component	1
Material	STEEL GRADE A Grade A - LRS
Belonging to drawing	-
Remarks	Sharp edges to be removed

Pos.	Qty.	Description	Material	Type/Drw. No.	Remarks
4	8	Bolt M12x25	Steel 8.8	DIN 7991	Hot dipped galv.
3	1	Seal Ø8	Nitril		NBR 70° Shore A
2	1	Manhole cover	Steel Grade A		
1	1	Manhole ring	Steel Grade A		

Subject: STEEL FLUSH HANDHOLE C/O Ø300			Drawingnumber: 510.05		Rev. -
			Format A3	Drawn : BCS	
			Date : 24-01-2013		
			Scale : 1:5 / 1:2		





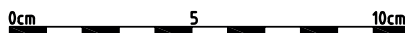


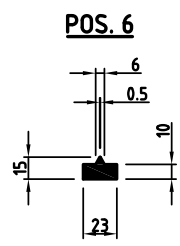
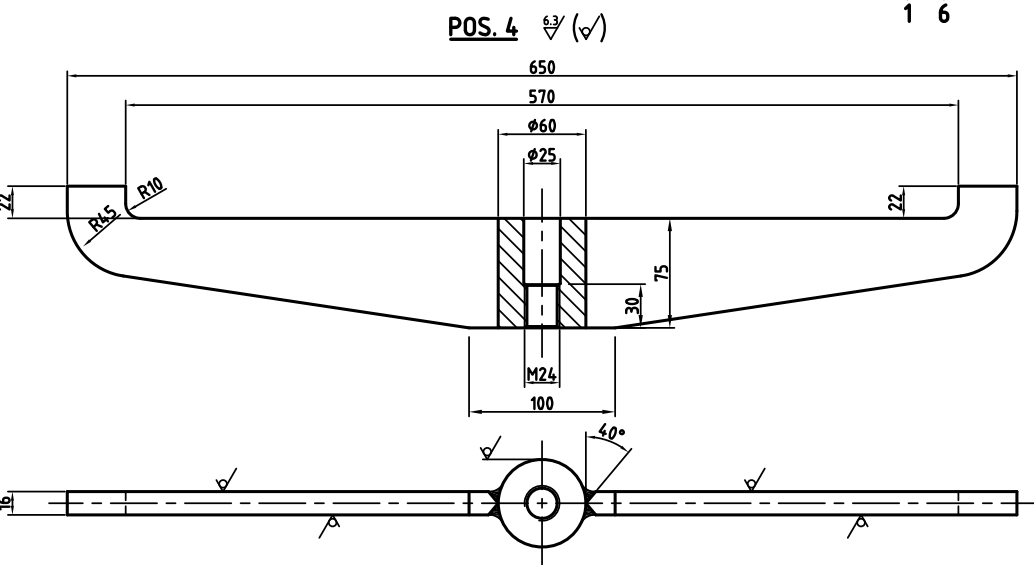
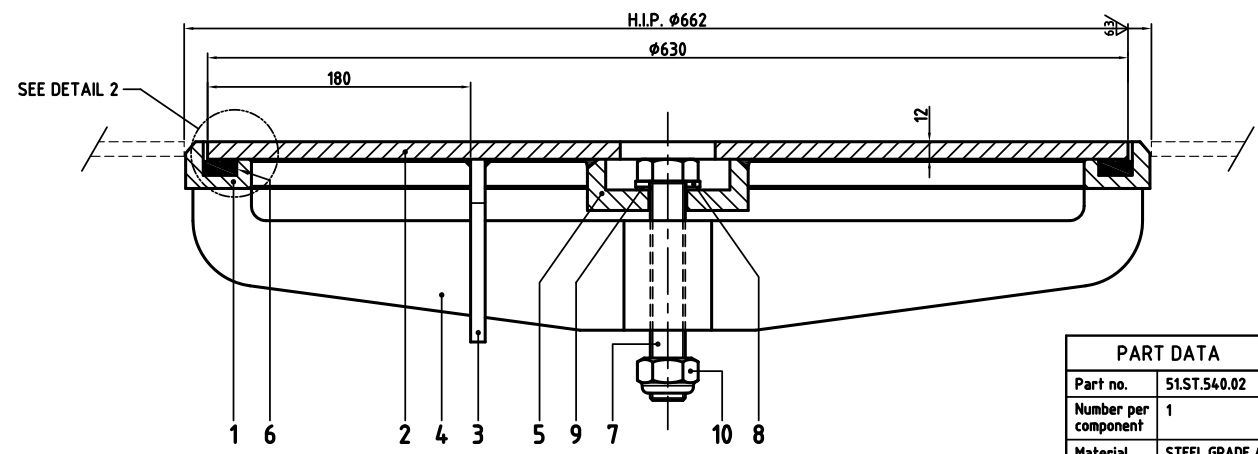
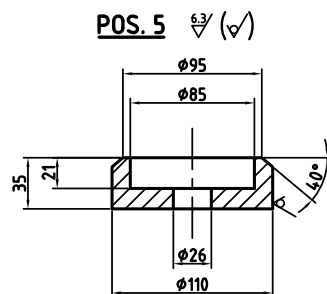
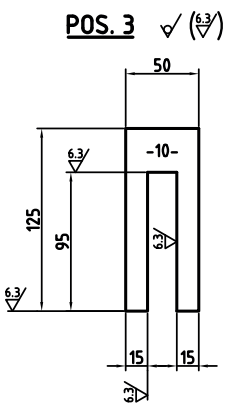
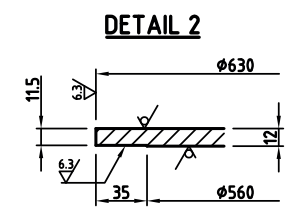
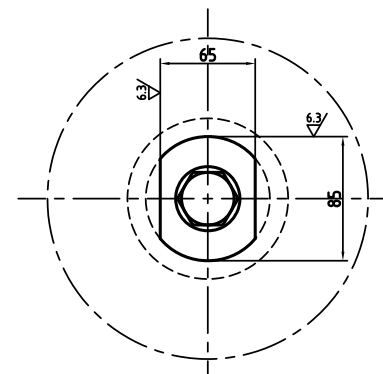
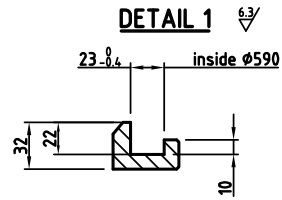
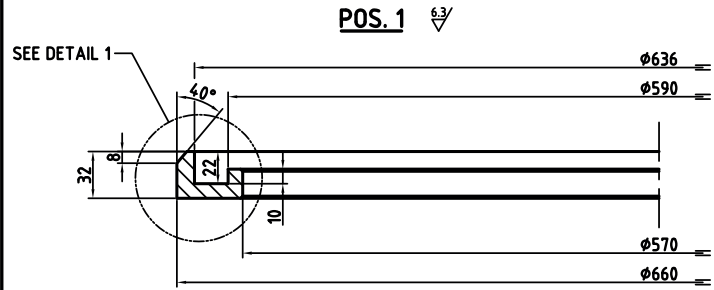
PART DATA	
Part no.	51.ST.540.01
Number per component	1
Material	STEEL GRADE A Grade A - LRS
Belonging to drawing	-
Remarks	Sharp edges to be removed

NOTE: THREAD BUSH TO BE MADE OF STAINLESS STEEL 316

10	1	Self locking nut M24	Stainless Steel	DIN 985	St.St. A4
9	1	Washer M24	Stainless Steel	DIN 125A	St.St. A4
8	1	Plain washer 43x25x3mm	Nitril		NBR 70° Shore A
7	1	Bolt M24x150	Stainless Steel	DIN 933	St.St. A4
6	1	Seal 8	Nitril		NBR 70° Shore A
5	1	Recessed bolt housing	Steel Grade A		
4	1	Lever	Steel Grade A		Thread bush St.St.
3	1	Bracket	Steel Grade A		
2	1	Manhole cover	Steel Grade A		
1	1	Manhole ring	Steel Grade A		
Pos.	Qty.	Description	Material	Type/Drw. No.	Remarks

Format	Subject:	STEEL MANHOLE C/O 470	Drawing number:	Rev.
A2	Component:	TYPE CENTRAL CLOSED FLUSH 560/470	540.01	B
THORMARINE			Drawn : BCS	Date : 12-02-2005
			Scale : 1:2	



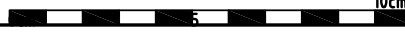


PART DATA	
Part no.	51.ST.540.02
Number per component	1
Material	STEEL GRADE A Grade A - LRS
Belonging to drawing	-
Remarks	Sharp edges to be removed

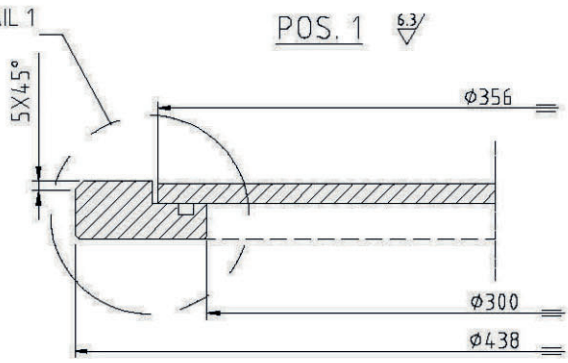
NOTE: THREAD BUSH TO BE MADE OF STAINLESS STEEL 316

10	1	Self locking nut M24	Stainless Steel	DIN 985	St.St. A4
9	1	Washer M24	Stainless Steel	DIN 125A	St.St. A4
8	1	Plain washer $\phi 43 \times \phi 25 \times 3 \text{mm}$	Nitril		NBR 70° Shore A
7	1	Bolt M24x150	Stainless Steel	DIN 933	St.St. A4
6	1	Seal 23x10	Nitril		NBR 70° Shore A
5	1	Recessed bolt housing	Steel Grade A		
4	1	Lever	Steel Grade A		Thread bush St.St.
3	1	Bracket	Steel Grade A		
2	1	Manhole cover	Steel Grade A		
1	1	Manhole ring	Steel Grade A		
Pos.	Qty.	Description	Material	Type/Drw. No.	Remarks

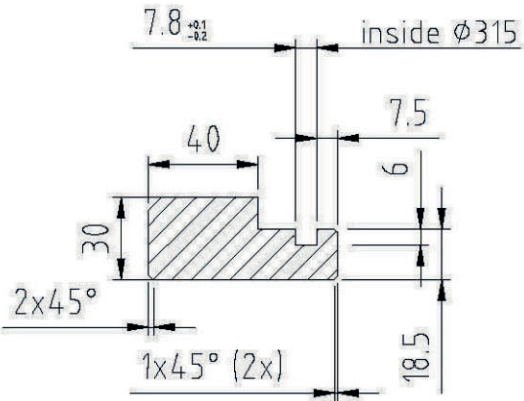
Format	Subject: STEEL MANHOLE C/O $\phi 570$	Drawing number:	Rev.
A2	Component: TYPE CENTRAL CLOSED FLUSH $\phi 660 / \phi 570$	540.02	B
THORMARINE		Drawn : BCS	Date : 12-02-2005
		Scale : 1:2.5	



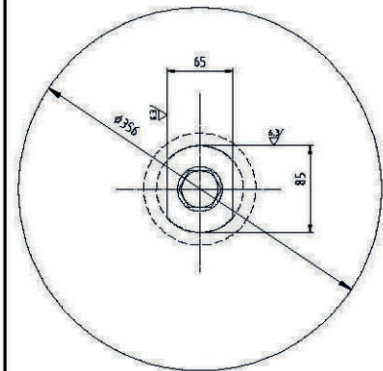
SEE DETAIL 1



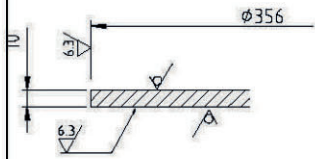
DETAIL 1  $\sqrt{6.3}$



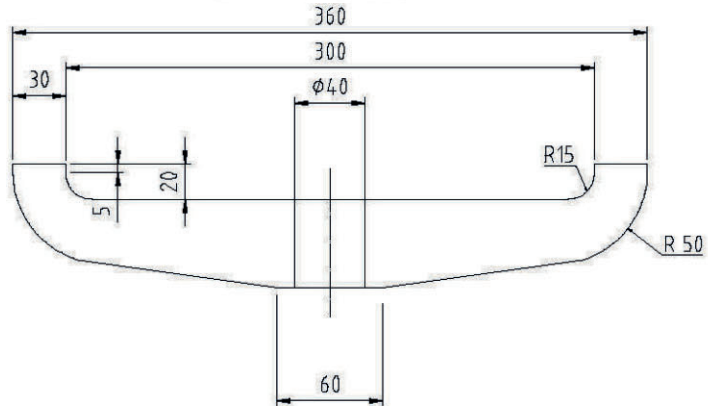
TOPVIEW A POS2. + "BOLT HOLE"



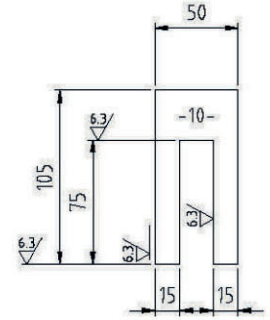
DETAIL POS.2



POS. 4  $\sqrt{6.3}$  ( $\sqrt{\quad}$ )

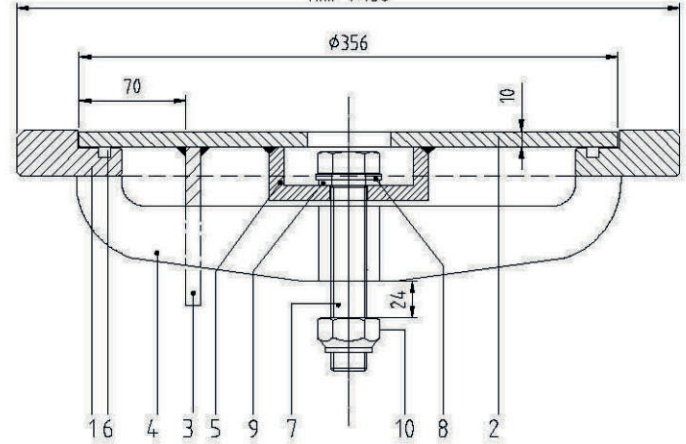


POS. 3  $\sqrt{6.3}$

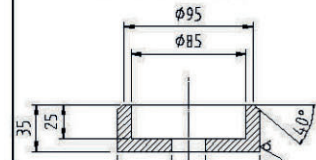


A

H.I.P  $\phi$ 438

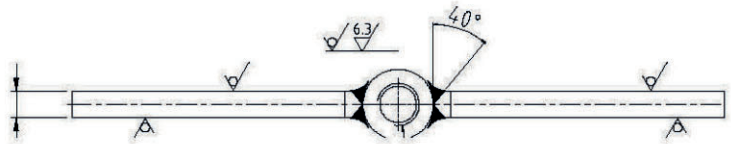


POS. 5  $\sqrt{6.3}$  ( $\sqrt{\quad}$ )



POS. 6

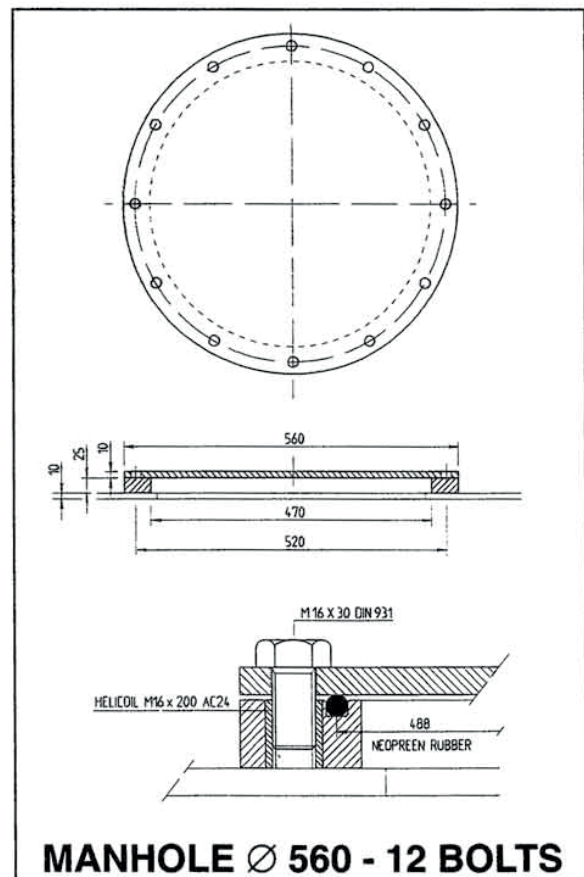
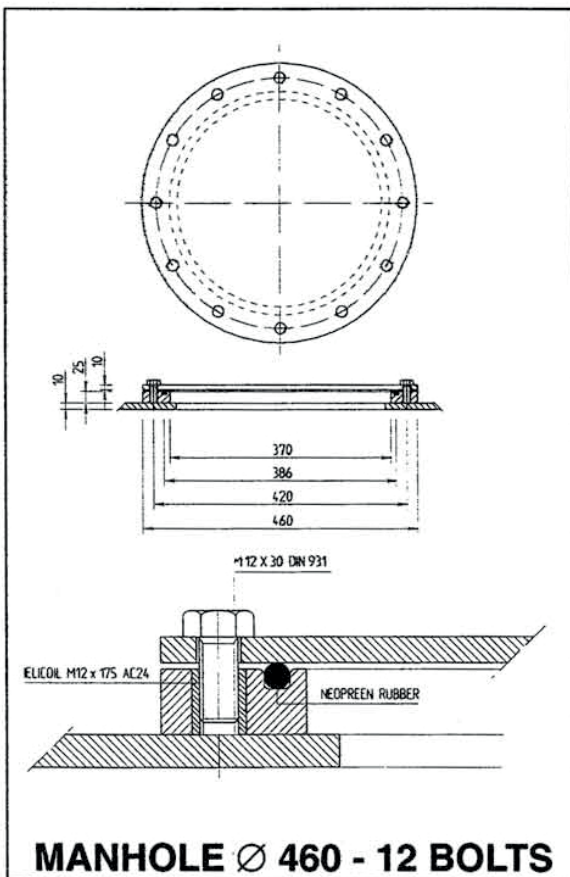
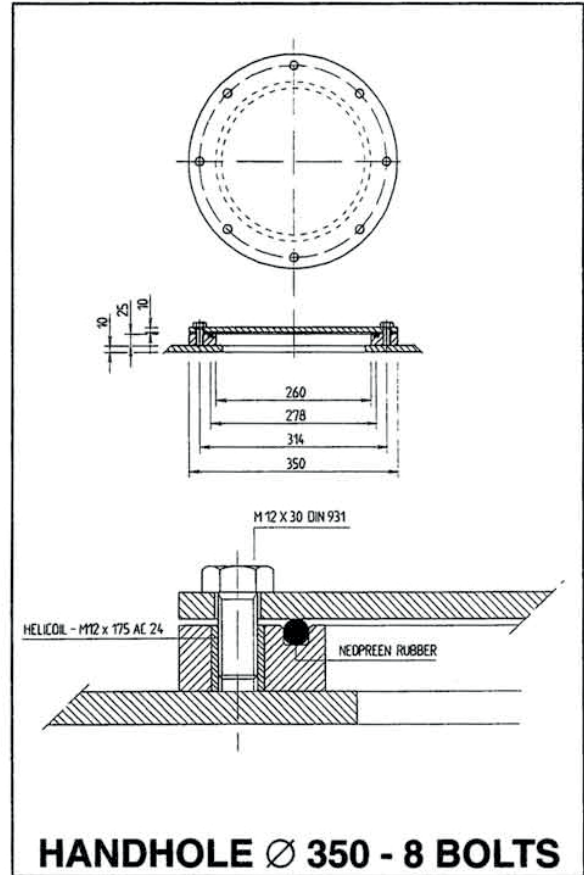
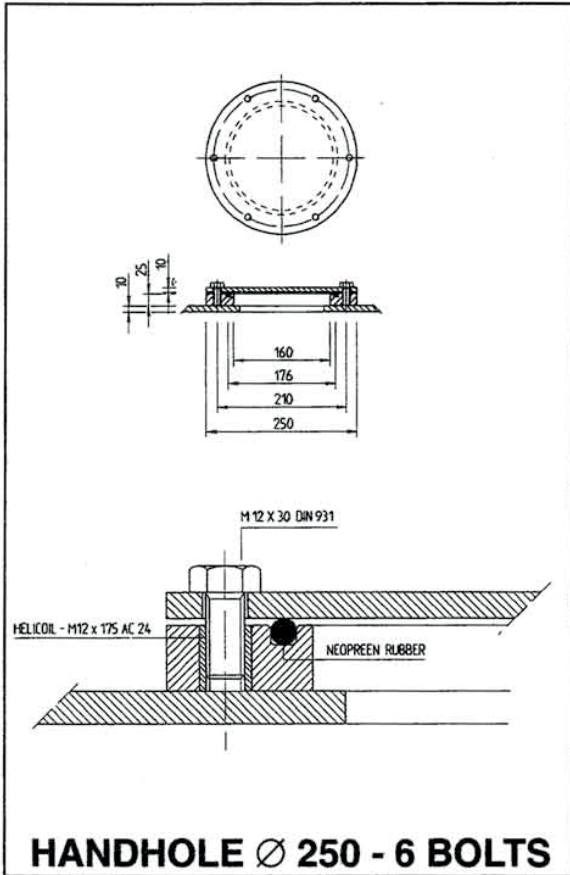
$\phi$ 8x315



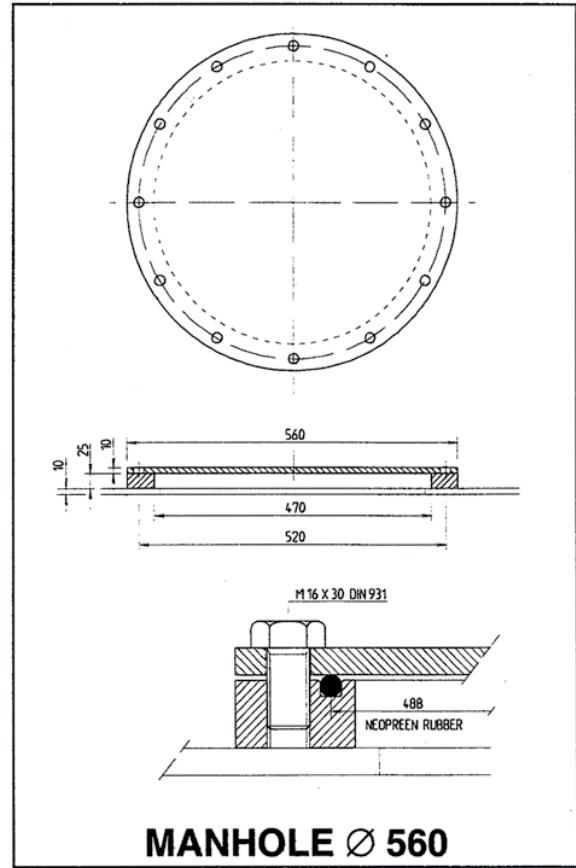
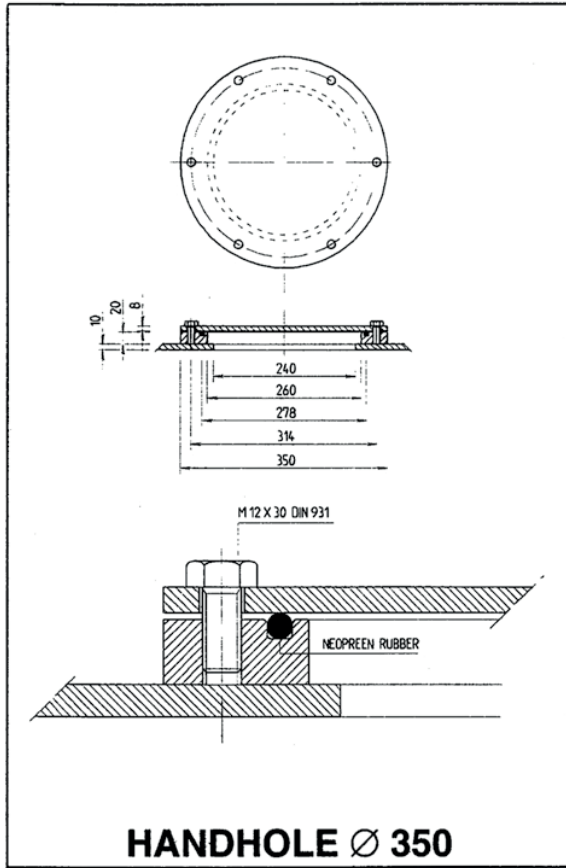
NOTE: THREAD BUSH TO BE MADE OF STAINLESS STEEL 316

Pos.	Qty.	Description	Material	Type/Drw. No.	Remarks
11	1	cover plate 10mm	steel grade A	-	-
10	1	Self locking nut M24	Stainless Steel	DIN 934	St-St. A4
9	1	Washer M24	Stainless Steel	DIN 125A	St-St. A4
8	1	Plain washer $\phi$ 43x $\phi$ 25x2mm	Nitril		NBR 70° Shore A
7	1	Bolt M24x150	Stainless Steel	DIN 933	St-St. A4
6	1	Seal $\phi$ 8	Nitril		NBR 70° Shore A
5	1	Recessed bolt housing	Steel Grade A		
4	1	Lever	Steel Grade A		Thread bush St-St.
3	1	Bracket	Steel Grade A		
2	1	Manhole cover	Steel Grade A		
1	1	Manhole ring	Steel Grade A		

# HANDHOLES - MANHOLES ALUMINIUM



# HANDHOLES - MANHOLES STAINLESS STEEL





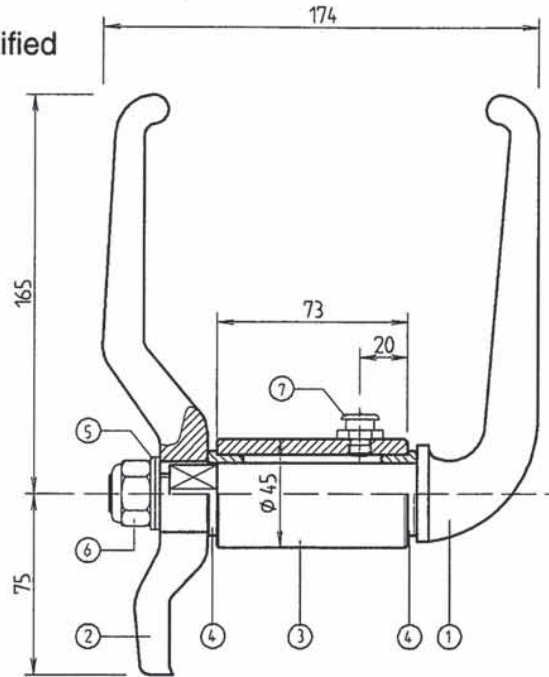
# DOORTOGGLE

Nominal size: 73 mm  
 Performance: Staal/Staal  
 Steel/Steel  
 Stahl/Stahl  
 Acier/Acier  
 Weight: 2,5 kg

Part No:

**73.ST.400.00**

DIN 83104 modified



7	Smeernippel	1/8 G Messing	
6	Zelfborgende moer	M16st DIN 985-8	
5	Sluistring	M16st DIN 125A	
4	Lagerbus	Messing	80.ST.401.04
3	Buitenbus	Staal	73.ST.400.03
2	Hendel	Staal	80.ST.401.02
1	Hendel met as	Staal	73.ST.400.01
Pos. nr.	Beschrijving	Type/Mat.	Art. nr.
7	Lubrication nipple	1/8 G Brass	
6	Selflocking nut	M16st DIN 985-8	
5	Washer	M16st DIN 125A	
4	Bearing bush	Brass	80.ST.401.04
3	Outside bush	Steel	73.ST.400.03
2	Handle	Steel	80.ST.401.02
1	Handle with shaft	Steel	73.ST.400.01
Pos. nr.	Description	Type/Mat.	Art. nr.
7	Schmiernippel	1/8 G Messing	
6	Selbstschliessende Mutter	M16st DIN 985-8	
5	Federring	M16st DIN 125A	
4	Lagerbuchse	Messing	80.ST.401.04
3	Aussenbuchse	Stahl	73.ST.400.03
2	Hebel	Stahl	80.ST.401.02
1	Hebel mit Achse	Stahl	73.ST.400.01
Pos. Nr.	Beschreibung	Type/Mat.	Art. nr.
7	Nipple de graissage	1/8 G Laiton	
6	Boulon indessarrable	M16st DIN 985-8	
5	Rondelle élastique bombée	M16st DIN 125A	
4	Coussinet	Laiton	80.ST.401.04
3	Boîtier extérieur	Acier	73.ST.400.03
2	Poignée	Acier	80.ST.401.02
1	Poignée avec axe	Acier	73.ST.400.01
Pos. nr.	Beschrijving	Type/Mat.	Art. nr.

**THORMARINE**

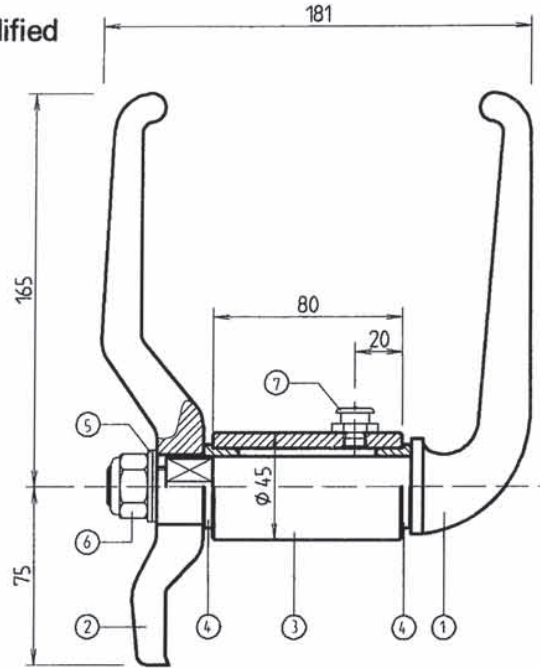
# DOORTOGGLE

Nominal size: 80 mm  
 Performance: Staal/Staal  
 Steel/Steel  
 Stahl/Stahl  
 Acier/Acier  
 Weight: 2,5 kg

Part No.

**80.ST.401.00**

DIN 83104 modified



7	Smeernippel	1/8 G Messing	
6	Zelfborgende moer	M16st DIN 985-8	
5	Sluistring	16.3 2%	
4	Lagerbus	Messing	80.ST.401.04
3	Buitenbus	Staal	80.ST.401.03
2	Hendel	Staal	80.ST.401.02
1	Hendel met as	Staal	80.ST.401.01
Pos. nr.	Beschrijving	Type/Mat.	Art. nr.
7	Lubrication nipple	1/8 G Brass	
6	Selflocking nut	M16st DIN 985-8	
5	Washer	16.3 2%	
4	Bearing bush	Brass	80.ST.401.04
3	Outside bush	Steel	80.ST.401.03
2	Handle	Steel	80.ST.401.02
1	Handle with shaft	Steel	80.ST.401.01
Pos. nr.	Description	Type/Mat.	Art. nr.
7	Schmiernippel	1/8 G Messing	
6	Selbstschliessende Mutter	M16st DIN 985-8	
5	Federring	16.3 2%	
4	Lagerbuchse	Messing	80.ST.401.04
3	Aussenbuchse	Stahl	80.ST.401.03
2	Hebel	Stahl	80.ST.401.02
1	Hebel mit Achse	Stahl	80.ST.401.01
Pos. Nr.	Beschreibung	Typ/Mat.	Art. Nr.
7	Nipple de graissage	1/8 G Laiton	
6	Boulon indessarrable	M16st DIN 985-8	
5	Rondelle élastique bombée	16.3 2%	
4	Coussinet	Laiton	80.ST.401.04
3	Boîtier extérieur	Acier	80.ST.401.03
2	Poignée	Acier	80.ST.401.02
1	Poignée avec axe	Acier	80.ST.401.01
Pos. nr.	Description	Type/Mat.	Art. nr.

**THORMARINE**

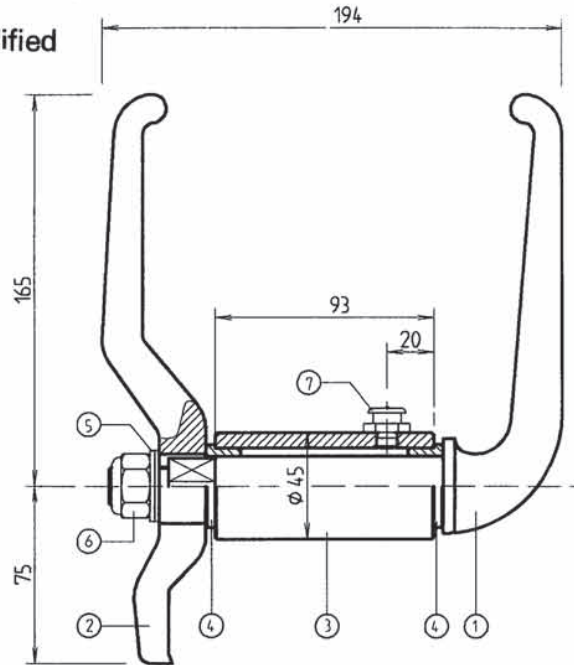
# DOORTOGGLE

Nominal size: 93 mm  
 Performance: Staal/Staal  
 Steel/Steel  
 Stahl/Stahl  
 Acier/Acier  
 Weight: 2,5 kg

Part No.

**93.ST.402.00**

DIN 83104 modified



7	Smeernippel	1/8 G Messing	
6	Zelfborgende moer	M16st DIN 985-8	
5	Sluistring	16.3 2%	
4	Lagerbus	Messing	80.ST.401.04
3	Buitenbus	Staal	93.ST.402.03
2	Hendel	Staal	80.ST.401.02
1	Hendel met as	Staal	93.ST.402.01
Pos. nr.	Beschrijving	Type/Mat.	Art. nr.
7	Lubrication nipple	1/8 G Brass	
6	Selflocking nut	M16st DIN 985-8	
5	Washer	16.3 2%	
4	Bearing bush	Brass	80.ST.401.04
3	Outside bush	Steel	93.ST.402.03
2	Handle	Steel	80.ST.401.02
1	Handle with shaft	Steel	93.ST.402.01
Pos. nr.	Description	Type/Mat.	Art. nr.
7	Schmiernippel	1/8 G Messing	
6	Selbstschliessende Mutter	M16st DIN 985-8	
5	Federring	16.3 2%	
4	Lagerbuchse	Messing	80.ST.401.04
3	Aussenbuchse	Stahl	93.ST.402.03
2	Hebel	Stahl	80.ST.401.02
1	Hebel mit Achse	Stahl	93.ST.402.01
Pos. Nr.	Beschreibung	Typ/Mat.	Art. Nr.
7	Nipple de graissage	1/8 G Laiton	
6	Boulon indessarrable	M16st DIN 985-8	
5	Rondelle élastique bombée	16.3 2%	
4	Coussinet	Laiton	80.ST.401.04
3	Boîtier extérieur	Acier	93.ST.402.03
2	Poignée	Acier	80.ST.401.02
1	Poignée avec axe	Acier	93.ST.402.01
Pos. nr.	Description	Type/Mat.	Art. nr.

**THORMARINE**



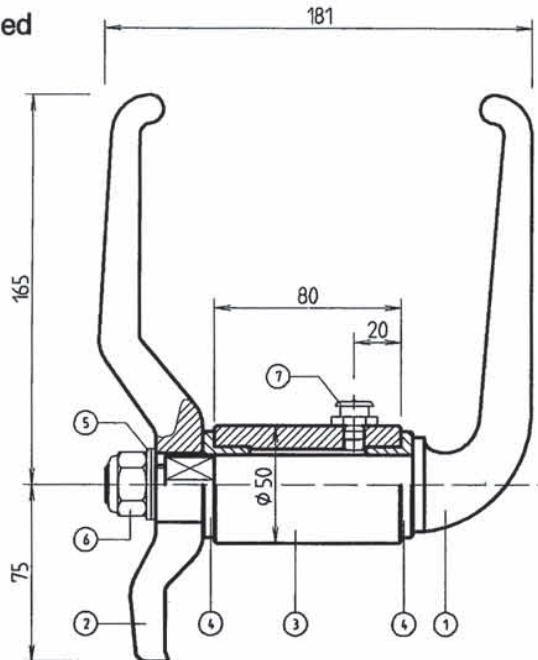
# DOORTOGGLE

Nominal size: 80 mm  
 Performance: Staal/Aluminium  
 Steel/Aluminium  
 Stahl/Aluminium  
 Acier/Aluminium  
 Weight: 2,5 kg

Part No.

**80.AL.403.00**

DIN 83104 modified



7	Smeernippel	1/8 G Messing	
6	Zelfborgende moer	M16st DIN 985-8	
5	Sluitring	16.3 2%	
4	Lagerbus	Nylon	80.AL.403.04
3	Buitenbus	Aluminium	80.AL.403.03
2	Hendel	Staal	80.ST.401.02
1	Hendel met as	Staal	93.ST.401.01
Pos. nr.	Beschrijving	Type/Mat.	Art. nr.
7	Lubrication nipple	1/8 G Brass	
6	Selflocking nut	M16st DIN 985-8	
5	Washer	16.3 2%	
4	Bearing bush	Nylon	80.AL.403.04
3	Outside bush	Aluminium	80.AL.403.03
2	Handle	Steel	80.ST.401.02
1	Handle with shaft	Steel	80.ST.401.01
Pos. nr.	Description	Type/Mat.	Art. nr.
7	Schmiernippel	1/8 G Messing	
6	Selbstschliessende Mutter	M16st DIN 985-8	
5	Federring	16.3 2%	
4	Lagerbuchse	Nylon	80.AL.403.04
3	Aussenbuchse	Aluminium	80.AL.403.03
2	Hebel	Stahl	80.ST.401.02
1	Hebel mit Achse	Stahl	80.ST.401.01
Pos. Nr.	Beschreibung	Typ/Mat.	Art. Nr.
7	Nipple de graissage	1/8 G Laiton	
6	Boulon indessarrable	M16st DIN 985-8	
5	Rondelle élastique bombée	16.3 2%	
4	Coussinet	Nylon	80.AL.403.04
3	Boîtier extérieur	Aluminium	80.AL.403.03
2	Poignée	Acier	80.ST.401.02
1	Poignée avec axe	Acier	80.ST.401.01
Pos. nr.	Description	Type/Mat.	Art. nr.

**THOR**MARINE

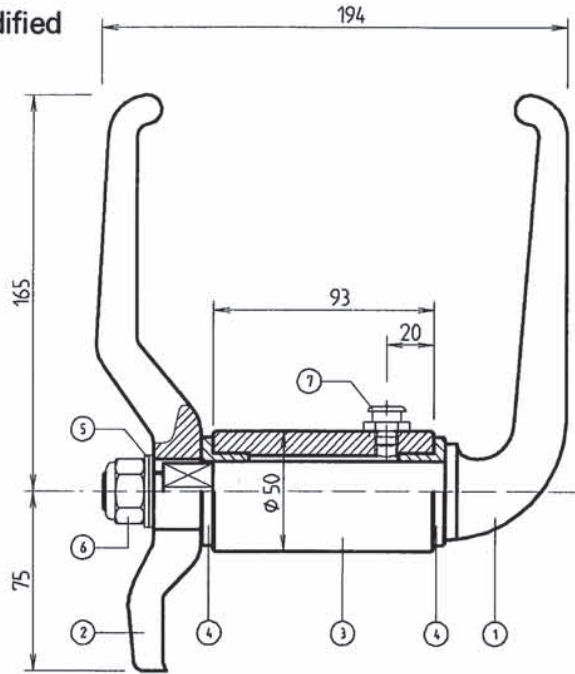
# DOORTOGGLE

Nominal size: 93 mm  
 Performance: Staal/Aluminium  
 Steel/Aluminium  
 Stahl/Aluminium  
 Acier/Aluminium  
 Weight: 2,5 kg

Part No.

**93.AL.404.00**

DIN 83104 modified



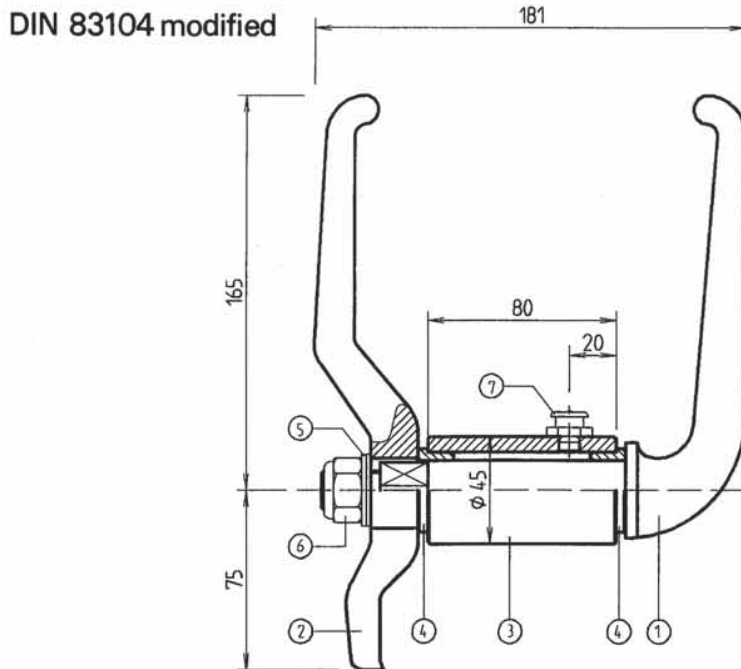
7	Smeernippel	1/8 G Messing	
6	Zelfborgende moer	M16st DIN 985-8	
5	Sluiring	16.3 2%	
4	Lagerbus	Nylon	80.AL.403.04
3	Buitenbus	Aluminium	93.AL.404.03
2	Hendel	Staal	80.ST.401.02
1	Hendel met as	Staal	93.ST.402.01
Pos. nr.	Beschrijving	Type/Mat.	Art. nr.
7	Lubrication nipple	1/8 G Brass	
6	Selflocking nut	M16st DIN 985-8	
5	Washer	16.3 2%	
4	Bearing bush	Nylon	80.AL.403.04
3	Outside bush	Aluminium	93.AL.404.03
2	Handle	Steel	80.ST.401.02
1	Handle with shaft	Steel	93.ST.402.01
Pos. nr.	Description	Type/Mat.	Art. nr.
7	Schmiernippel	1/8 G Messing	
6	Selbstschliessende Mutter	M16st DIN 985-8	
5	Federring	16.3 2%	
4	Lagerbuchse	Nylon	80.AL.403.04
3	Aussenbuchse	Aluminium	93.AL.404.03
2	Hebel	Stahl	80.ST.401.02
1	Hebel mit Achse	Stahl	93.ST.402.01
Pos. Nr.	Beschreibung	Typ/Mat.	Art. Nr.
7	Nipple de graissage	1/8 G Laiton	
6	Boulon indessarrable	M16st DIN 985-8	
5	Rondelle élastique bombée	16.3 2%	
4	Coussinet	Nylon	80.AL.403.04
3	Boîtier extérieur	Aluminium	93.AL.404.03
2	Poignée	Acier	80.ST.401.02
1	Poignée avec axe	Acier	93.ST.402.01
Pos. nr.	Description	Type/Mat.	Art. nr.

**THOR MARINE**

# DOORTOGGLE

Nominal size: 80 mm  
 Performance: Roestvrij staal/Roestvrij staal  
 Stainless steel/Stainless steel  
 Rostfreier Stahl/Rostfreier Stahl  
 Acier inoxydable/Acier inoxydable  
 Weight: 2,5 kg

Part No.  
**80.SS.405.00**



7	Smeernippel	1/8 G Messing	
6	Zelfborgende moer	M16 SS-304 DIN 985-8	
5	Sluistring	16.3 2%	
4	Lagerbus	Messing	80.ST.401.04
3	Buitenbus	Roestvrij staal	80.SS.405.03
2	Hendel	Roestvrij staal	80.SS.405.02
1	Hendel met as	Roestvrij staal	80.SS.405.01
Pos. nr.	Beschrijving	Type/Mat.	Art. nr.
7	Lubrication nipple	1/8 G Brass	
6	Selflocking nut	M16 SS-304 DIN 985-8	
5	Washer	16.3 2%	
4	Bearing bush	Brass	80.ST.401.04
3	Outside bush	Stainless steel	80.SS.405.03
2	Handle	Stainless steel	80.SS.405.02
1	Handle with shaft	Stainless steel	80.SS.405.01
Pos. nr.	Description	Type/Mat.	Art. nr.
7	Schmiernippel	1/8 G Messing	
6	Selbstschliessende Mutter	M16 SS-304 DIN 985-8	
5	Federring	16.3 2%	
4	Lagerbuchse	Messing	80.ST.401.04
3	Aussenbuchse	Rostfreier Stahl	80.SS.405.03
2	Hebel	Rostfreier Stahl	80.SS.405.02
1	Hebel mit Achse	Rostfreier Stahl	80.SS.405.01
Pos. Nr.	Beschreibung	Typ/Mat.	Art. Nr.
7	Nipple de graissage	1/8 G Laiton	
6	Boulon indessarrable	M16 SS-304 DIN 985-8	
5	Rondelle élastique bombée	16.3 2%	
4	Coussinet	Laiton	80.ST.401.04
3	Boîtier extérieur	Acier inoxydable	80.SS.405.03
2	Poignée	Acier inoxydable	80.SS.405.02
1	Poignée avec axe	Acier inoxydable	80.SS.405.01
Pos. nr.	Description	Type/Mat.	Art. nr.

**THOR**MARINE



# DOORTOGGLE

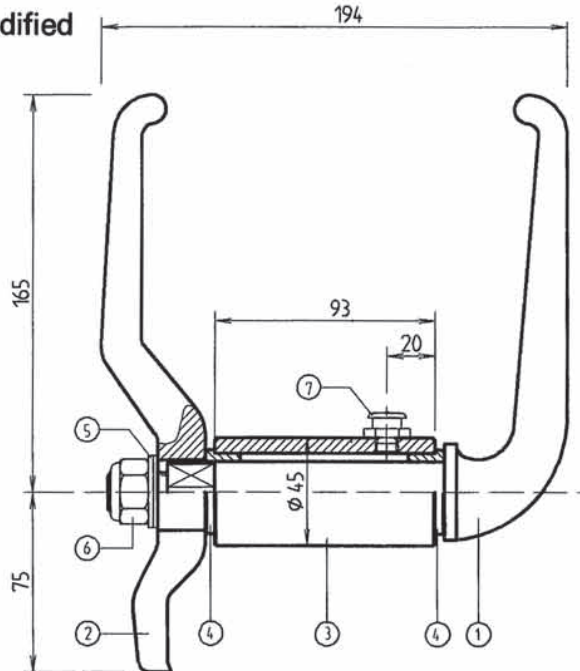
Nominal size: 93 mm  
 Performance: Roestvrij staal/Roestvrij staal  
 Stainless steel/Stainless steel  
 Rostfreier Stahl/Rostfreier Stahl  
 Acier inoxydable/Acier inoxydable

Weight: 2,5 kg

Part No.

**93.SS.406.00**

DIN 83104 modified



7	Smeernippel	1/8 G Messing	
6	Zelfborgende moer	M16 SS-304 DIN 985-8	
5	Sluistring	16.3 2%	
4	Lagerbus	Messing	80.ST.401.04
3	Buitenbus	Roestvrij staal	93.SS.406.03
2	Hendel	Roestvrij staal	80.SS.405.02
1	Hendel met as	Roestvrij staal	93.SS.406.01
Pos. nr.	Beschrijving	Type/Mat.	Art. nr.
7	Lubrication nipple	1/8 G Brass	
6	Selflocking nut	M16 SS-304 DIN 985-8	
5	Washer	16.3 2%	
4	Bearing bush	Brass	80.ST.401.04
3	Outside bush	Stainless steel	93.SS.406.03
2	Handle	Stainless steel	80.SS.405.02
1	Handle with shaft	Stainless steel	93.SS.406.01
Pos. nr.	Description	Type/Mat.	Art. nr.
7	Schmiernippel	1/8 G Messing	
6	Selbstschliessende Mutter	M16 SS-304 DIN 985-8	
5	Federring	16.3 2%	
4	Lagerbuchse	Messing	80.ST.401.04
3	Aussenbuchse	Rostfreier Stahl	93.SS.406.03
2	Hebel	Rostfreier Stahl	80.SS.405.02
1	Hebel mit Achse	Rostfreier Stahl	93.SS.406.01
Pos. Nr.	Beschreibung	Typ/Mat.	Art. Nr.
7	Nipple de graissage	1/8 G Laiton	
6	Boulon indessarrable	M16 SS-304 DIN 985-8	
5	Rondelle élastique bombée	16.3 2%	
4	Coussinet	Laiton	80.ST.401.04
3	Boîtier extérieur	Acier inoxydable	93.SS.406.03
2	Poignée	Acier inoxydable	80.SS.405.02
1	Poignée avec axe	Acier inoxydable	93.SS.406.01
Pos. nr.	Description	Type/Mat.	Art. nr.

**THOR MARINE**



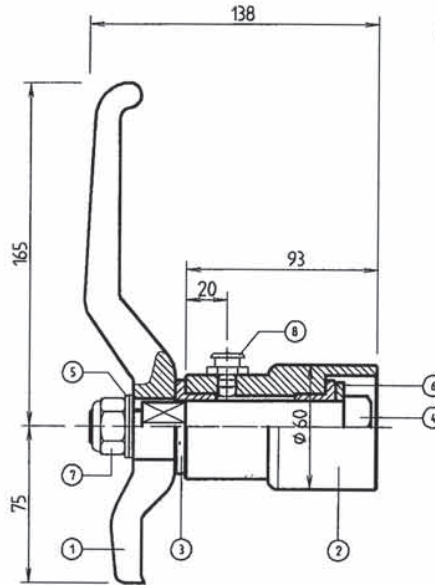
# DOORTOGGLE

Nominal size: 93 mm  
 Performance: Staal/Staal  
 Steel/Steel  
 Stahl/Stahl  
 Acier/Acier  
 Weight: 1,6 kg

DIN 83104 modified

Part No.

**93.ST.421.00**



8	Smeernippel	1/8 G Messing	
7	Zelfborgende moer	M16 SS-304 DIN 985-8	
6	Sluistring	M24 SS-316	
5	Sluistring	16.3 SS-316	
4	As	SS-316	93.SS.421.05
3	Lagerbus	Messing	80.ST.401.04
2	Buitenbus	Staal	93.ST.421.03
1	Hendel	Staal	80.ST.401.02
Pos. nr.	Beschrijving	Type/Mat.	Art. nr.
8	Lubrication nipple	1/8 G Brass	
7	Selflocking nut	M16 SS-304 DIN 985-8	
6	Washer	M24 SS-316	
5	Washer	16.3 SS-316	
4	Shaft	SS-316	93.SS.421.05
3	Bearing bush	Brass	80.ST.401.04
2	Outside bush	Steel	93.ST.421.03
1	Handle	Steel	80.ST.401.02
Pos. nr.	Description	Type/Mat.	Art. nr.
8	Schmiernippel	1/8 G Messing	
7	Selbstschliessende Mutter	M16 SS-304 DIN 985-8	
6	Federring	M24 SS-316	
5	Federring	16.3 SS-316	
4	Achse	SS-316	93.SS.421.05
3	Lagerbuchse	Messing	80.ST.401.04
2	Aussenbuchse	Stahl	93.ST.421.03
1	Hebel	Stahl	80.ST.401.02
Pos. Nr.	Beschreibung	Typ/Mat.	Art. Nr.
8	Nipple de graissage	1/8 G Laiton	
7	Boulon indessarrable	M16 SS-304 DIN 985-8	
6	Rondelle élastique bombée	M24 SS-316	
5	Rondelle élastique bombée	16.3 SS-316	
4	Axe	SS-316	93.SS.421.05
3	Coussinet	Laiton	80.ST.401.04
2	Boîtier extérieur	Acier	93.ST.421.03
1	Poignée	Acier	80.ST.401.02
Pos. nr.	Description	Type/Mat.	Art. nr.

**THORMARINE**

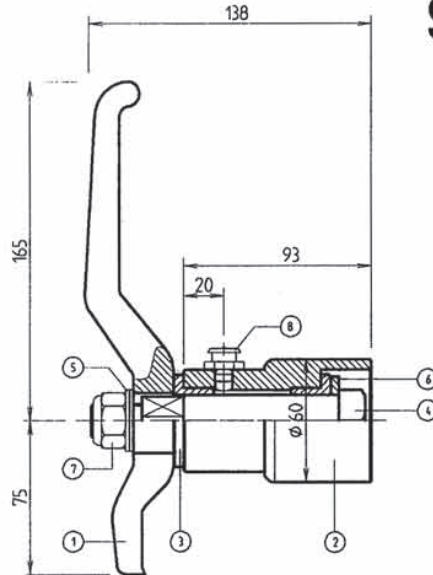
# DOORTOGGLE

Nominal size: 93 mm  
 Performance: Staal/Aluminium  
 Steel/Aluminium  
 Stahl/Aluminium  
 Acier/Aluminium  
 Weight: 1,5 kg

DIN 83104 modified

Part No.

**93.AL.422.00**



8	Smeernippel	1/8 G Messing	
7	Zelfborgende moer	M16 SS-304 DIN 985-8	
6	Sluitring	M24 SS-316	
5	Sluitring	16.3 SS-316	
4	As	SS-316	93.SS.421.05
3	Lagerbus	Nylon	80.AL.403.04
2	Buitenbus	Aluminium	93.AL.422.03
1	Hendel	Staal	80.ST.401.02
Pos. nr.	Beschrijving	Type/Mat.	Art. nr.
8	Lubrication nipple	1/8 G Brass	
7	Selflocking nut	M16 SS-304 DIN 985-8	
6	Washer	M24 SS-316	
5	Washer	16.3 SS-316	
4	Shaft	SS-316	93.SS.421.05
3	Bearing bush	Nylon	80.SL.403.04
2	Outside bush	Aluminium	93.AL.422.03
1	Handle	Steel	80.ST.401.02
Pos. nr.	Description	Type/Mat.	Art. nr.
8	Schmiernippel	1/8 G Messing	
7	Selbstschliessende Mutter	M16 SS-304 DIN 985-8	
6	Federring	M24 SS-316	
5	Federring	16.3 SS-316	
4	Achse	SS-316	93.SS.421.05
3	Lagerbuchse	Nylon	80.AL.403.04
2	Aussenbuchse	Aluminium	93.AL.422.03
1	Hebel	Stahl	80.ST.401.02
Pos. Nr.	Beschreibung	Typ/Mat.	Art. Nr.
8	Nipple de graissage	1/8 G Laiton	
7	Boulon indessarrable	M16 SS-304 DIN 985-8	
6	Rondelle élastique bombée	M24 SS-316	
5	Rondelle élastique bombée	16.3 SS-316	
4	Axe	SS-316	93.SS.421.05
3	Coussinet	Nylon	80.AL.403.04
2	Boîtier extérieur	Aluminium	93.AL.422.03
1	Poignée	Acier	80.ST.401.02
Pos. nr.	Description	Type/Mat.	Art. nr.

**THOR**MARINE

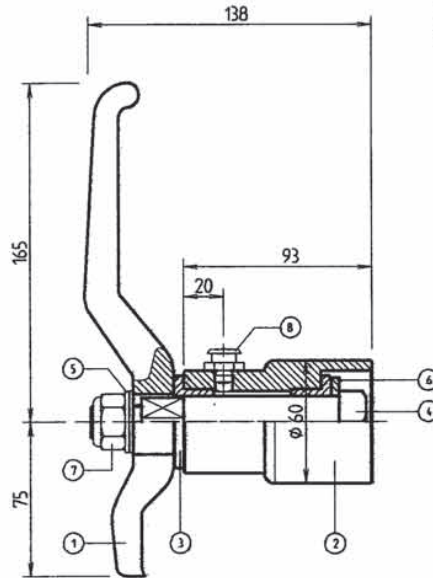
# DOORTOGGLE

Nominal size: 93 mm  
 Performance: Roestvrij staal/Roestvrij staal  
 Stainless steel/Stainless steel  
 Rostfreier Stahl/Rostfreier Stahl  
 Acier inoxydable/Acier inoxydable  
 Weight: 1,6 kg

DIN 83104 modified

Part No.

**93.SS.423.00**



8	Smeernippel	1/8 G Messing	
7	Zelfborgende moer	M16 SS-304 DIN 985-8	
6	Sluistring	M24 SS-316	
5	Sluistring	16.3 SS-316	
4	As	SS-316	93.SS.421.05
3	Lagerbus	Messing	80.ST.401.04
2	Buitenbus	Roestvrij staal	93.SS.423.03
1	Hendel	Roestvrij staal	80.SS.405.02
Pos. nr.	Beschrijving	Type/Mat.	Art. nr.
8	Lubrication nipple	1/8 G Brass	
7	Selflocking nut	M16 SS-304 DIN 985-8	
6	Washer	M24 SS-316	
5	Washer	16.3 SS-316	
4	Shaft	SS-316	93.SS.421.05
3	Bearing bush	Brass	80.ST.401.04
2	Outside bush	Stainless steel	93.SS.423.03
1	Handle	Stainless steel	80.SS.405.02
Pos. nr.	Description	Type/Mat.	Art. nr.
8	Schmiernippel	1/8 G Messing	
7	Selbstschliessende Mutter	M16 SS-304 DIN 985-8	
6	Federring	M24 SS-316	
5	Federring	16.3 SS-316	
4	Achse	SS-316	93.SS.421.05
3	Lagerbuchse	Messing	80.ST.401.04
2	Aussenbuchse	Rostfreier Stahl	93.SS.423.03
1	Hebel	Rostfreier Stahl	80.SS.405.02
Pos. Nr.	Beschreibung	Typ/Mat.	Art. Nr.
8	Nipple de graissage	1/8 G Laiton	
7	Boulon indessarrable	M16 SS-304 DIN 985-8	
6	Rondelle élastique bombée	M24 SS-316	
5	Rondelle élastique bombée	16.3 SS-316	
4	Axe	SS-316	93.SS.421.05
3	Coussinet	Laiton	80.ST.401.04
2	Boîtier extérieur	Acier inoxydable	93.SS.423.03
1	Poignée	Acier inoxydable	80.SS.405.02
Pos. nr.	Description	Type/Mat.	Art. nr.

**THOR MARINE**



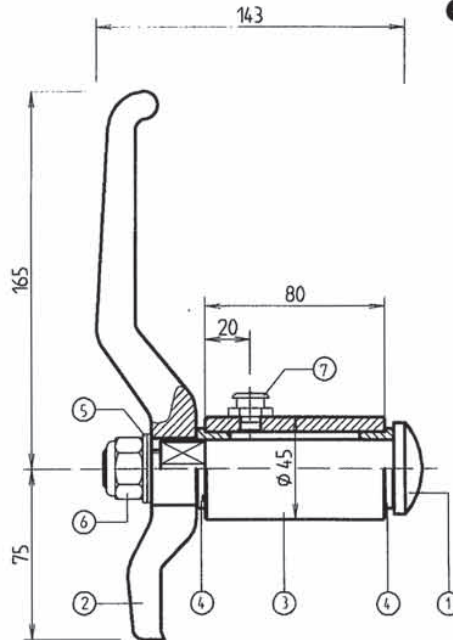
# DOORTOGGLE

Nominal size: 80 mm  
 Performance: Staal/Staal  
 Steel/Steel  
 Stahl/Stahl  
 Acier/Acier  
 Weight: 1,6 kg

DIN 83104modified

Part No.

**80.ST.424.00**



7	Smeernippel	1/8 G Messing	
6	Zelfborgende moer	M16 st DIN 985-8	
5	Sluistring	16.3 2%	
4	Lagerbus	Messing	80.ST.401.04
3	Buitenbus	Staal	80.ST.401.03
2	Hendel	Staal	80.ST.401.02
1	As	Staal	80.ST.424.05
Pos. nr.	Beschrijving	Type/Mat.	Art. nr.
7	Lubrication nipple	1/8 G Brass	
6	Selflocking nut	M16 st DIN 985-8	
5	Washer	M16.3 2%	
4	Bearing bush	Brass	80.ST.401.04
3	Outside bush	Steel	80.ST.401.03
2	Handle	Steel	80.ST.401.02
1	Shaft	Steel	80.ST.424.05
Pos. nr.	Description	Type/Mat.	Art. nr.
7	Schmiernippel	1/8 G Messing	
6	Selbstschliessende Mutter	M16 st DIN 985-8	
5	Federring	16.3 2%	
4	Lagerbuchse	Messing	80.ST.401.04
3	Aussenbuchse	Stahl	80.ST.401.03
2	Hebel	Stahl	80.ST.401.02
1	Achse	Stahl	80.ST.424.05
Pos. Nr.	Beschreibung	Typ/Mat.	Art. Nr.
7	Nipple de graissage	1/8 G Laiton	
6	Boulon indessarrable	M16 st DIN 985-8	
5	Rondelle élastique bombée	16.3 2%	
4	Coussinet	Laiton	80.ST.401.04
3	Boîtier extérieur	Acier	80.ST.401.03
2	Poignée	Acier	80.ST.401.02
1	Axe	Acier	80.ST.424.05
Pos. nr.	Description	Type/Mat.	Art. nr.

**THORMARINE**

# DOORTOGGLE

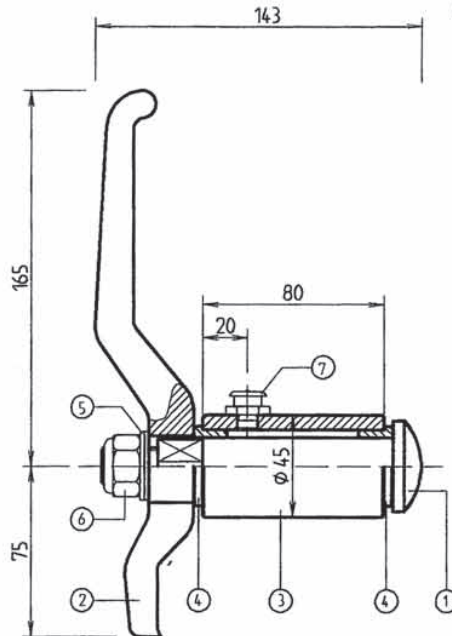
Nominal size: 80 mm  
 Performance: Staal/Aluminium  
 Steel/Aluminium  
 Stahl/Aluminium  
 Acier/Aluminium

Weight: 1,5 kg

DIN 83104 modified

Part No.

**80.AL.425.00**



7	Smeernippel	1/8 G Messing	
6	Zelfborgende moer	M16 st DIN 985-8	
5	Sluitring	16.3 2%	
4	Lagerbus	Nylon	80.AL.403.04
3	Buitenbus	ALuminium	80.AL.403.03
2	Hendel	Staal	80.ST.401.02
1	As	Staal	80.ST.424.05
Pos. nr.	Beschrijving	Type/Mat.	Art. nr.
7	Lubrication nipple	1/8 G Brass	
6	Selflocking nut	M16 st DIN 985-8	
5	Washer	16.3 2%	
4	Bearing bush	Nylon	80.AL.403.04
3	Outside bush	Aluminium	80.AL.403.03
2	Handle	Steel	80.ST.401.02
1	Shaft	Steel	80.ST.424.05
Pos. nr.	Description	Type/Mat.	Art. nr.
7	Schmiernippel	1/8 G Messing	
6	Selbstschliessende Mutter	M16 st DIN 985-8	
5	Federring	16.3 2%	
4	Lagerbuchse	Nylon	80.AL.403.04
3	Aussenbuchse	Aluminium	80.AL.403.03
2	Hebel	Stahl	80.ST.401.02
1	Achse	Stahl	80.ST.424.05
Pos. Nr.	Beschreibung	Typ/Mat.	Art. Nr.
7	Nipple de graissage	1/8 G Laiton	
6	Boulon indessarrable	M16 st DIN 985-8	
5	Rondelle élastique bombée	16.3 2%	
4	Coussinet	Nylon	80.AL.403.04
3	Boîtier extérieur	Aluminium	80.AL.403.03
2	Poignée	Acier	80.ST.401.02
1	Axe	Acier	80.ST.424.05
Pos. nr.	Description	Type/Mat.	Art. nr.

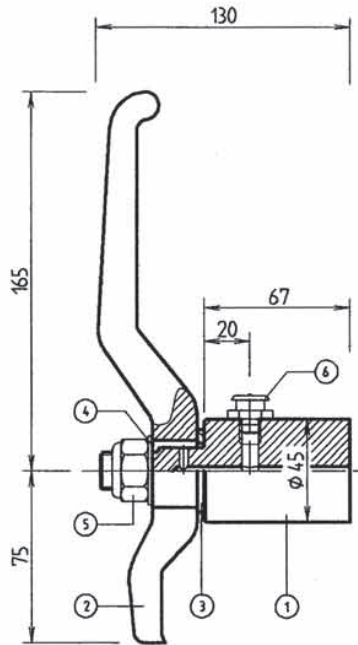
**THORMARINE**

# DOORTOGGLE

Nominal size: 67 mm  
 Performance: Staal/Staal  
 Steel/Steel  
 Stahl/Stahl  
 Acier/Acier

Weight: 1,5 kg  
 DIN 83104 modified

Part No.  
**67.ST.426.00**



6	Smeernippel	1/8 G Messing	
5	Zelfborgende moer	M16 st DIN 985-8	
4	Sluistring	M16 st	
3	Sluistring	M20 Messing	
2	Hendel	Staal	80.ST.401.02
1	As	Staal	67.ST.426.05
Pos. nr.	Beschrijving	Type/Mat.	Art. nr.
6	Lubrication nipple	1/8 G Brass	
5	Selflocking nut	M16 st DIN 985-8	
4	Washer	M16 st	
3	Washer	M20 Brass	
2	Handle	Steel	80.ST.401.02
1	Shaft	Steel	67.ST.426.05
Pos. nr.	Description	Type/Mat.	Art. nr.
6	Schmiernippel	1/8 G Messing	
5	Selbstschliessende Mutter	M16 st DIN 985-8	
4	Federring	M16 st	
3	Federring	M20 Messing	
2	Hebel	Stahl	80.ST.401.02
1	Achse	Stahl	67.ST.426.05
Pos. Nr.	Beschreibung	Typ/Mat.	Art. Nr.
6	Nipple de graissage	1/8 G Laiton	
5	Boulon indessarrable	M16 st DIN 985-8	
4	Rondelle élastique bombée	M16 st	
3	Rondelle élastique bombée	M20 Laiton	
2	Poignée	Acier	80.ST.401.02
1	Axe	Acier	67.ST.426.05
Pos. nr.	Description	Type/Mat.	Art. nr.

**THOR**MARINE

# DOORTOGGLE

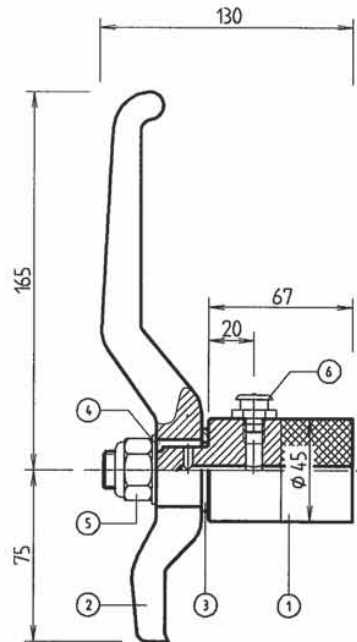
Nominal size: 67 mm  
 Performance: Staal/Aluminium  
 Steel/Aluminium  
 Stahl/Aluminium  
 Acier/Aluminium

Weight: 1,5 kg

DIN 83104modified

Part No.

**67.AL.427.00**

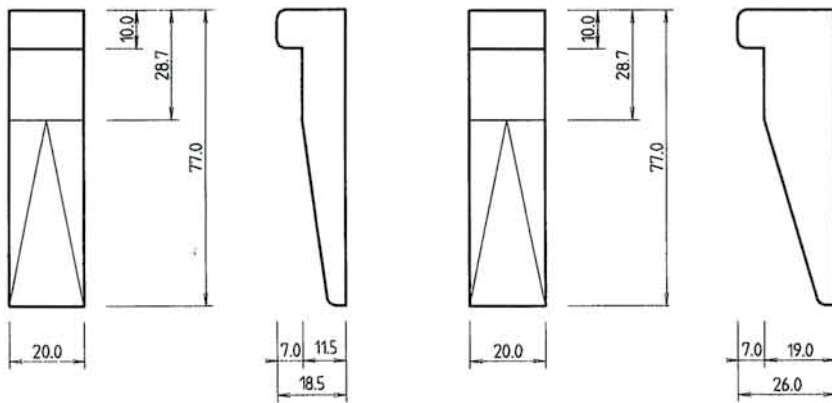


6	Smeernippel	1/8 G Messing	
5	Zelfborgende moer	M16 st DIN 985-8	
4	Sluistring	M16 st	
3	Sluistring	M20 Messing	
2	Hendel	staal	80.ST.401.02
1	As	Aluminium/Staal	67.ST.427.05
Pos. nr.	Beschrijving	Type/Mat.	Art. nr.
6	Lubrication nipple	1/8 G Brass	
5	Selflocking nut	M16 st DIN 985-8	
4	Washer	M16 st	
3	Washer	M20 Brass	
2	Handle	Steel	80.ST.401.02
1	Shaft	Aluminium/Steel	67.ST.427.05
Pos. nr.	Description	Type/Mat.	Art. nr.
6	Schmiernippel	1/8 G Messing	
5	Selbstschiessende Mutter	M16 st DIN 985-8	
4	Federring	M16 st	
3	Federring	M20 Messing	
2	Hebel	Stahl	80.ST.401.02
1	Achse	Aluminium/Stahl	67.ST.427.05
Pos. Nr.	Beschreibung	Typ/Mat.	Art. Nr.
6	Nipple de graissage	1/8 G Laiton	
5	Boulon indessarrable	M16 st DIN 985-8	
4	Rondelle élastique bombée	M16 st	
3	Rondelle élastique bombée	M20 Laiton	
2	Poignée	Acier	80.ST.401.02
1	Axe	Aluminium/Acier	67.ST.427.05
Pos. nr.	Description	Type/Mat.	Art. nr.

**THORMARINE**

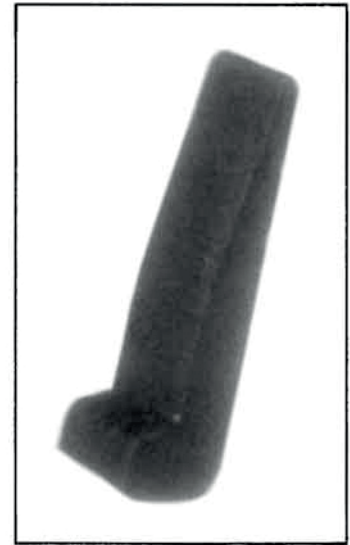


Spieën  
Wedges  
Keil  
Cales



A/C

B/D/E

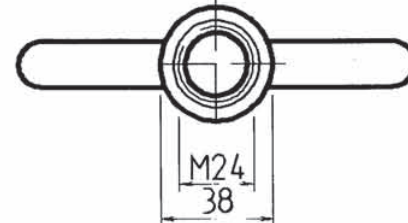
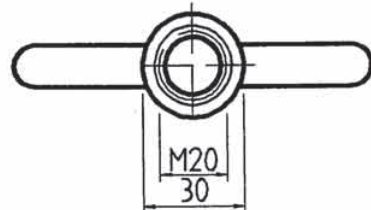
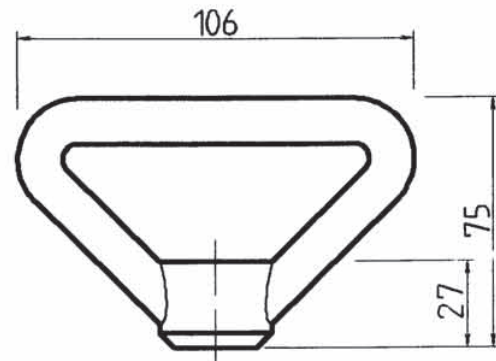
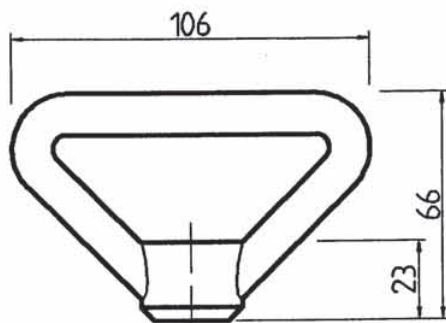
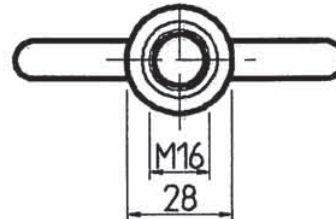
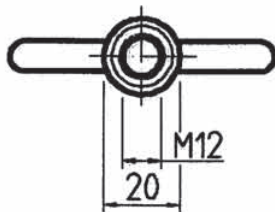
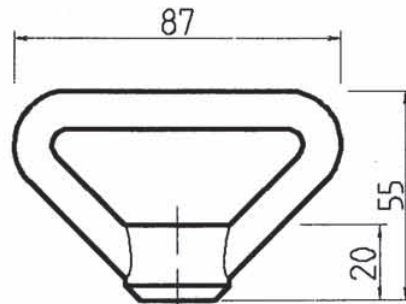
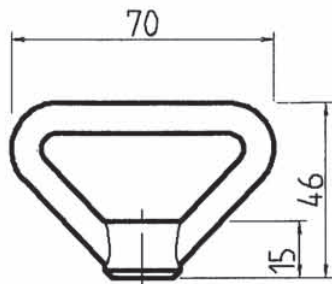


Art. nr	Type	Mat.
80.ST.411.01	A	ST44.2
80.ST.411.02	B	ST44.2
80.SS.411.03	C	AISI 316
80.AL.411.05	E	Aluminium (Triclad)

# TOGGLE

Korfmoer  
Korbmutter  
Ecrou en anse de panier

Roestvrij staal  
Rostfreier stahl  
Acier inoxydable



Part nr.	Material	Type
10.SS.201.00	Stainless steel AISI 316	M10 Toggle
12.SS.202.00	Stainless steel AISI 316	M12 Toggle
16.SS.203.00	Stainless steel AISI 316	M16 Toggle
20.SS.204.00	Stainless steel AISI 316	M20 Toggle

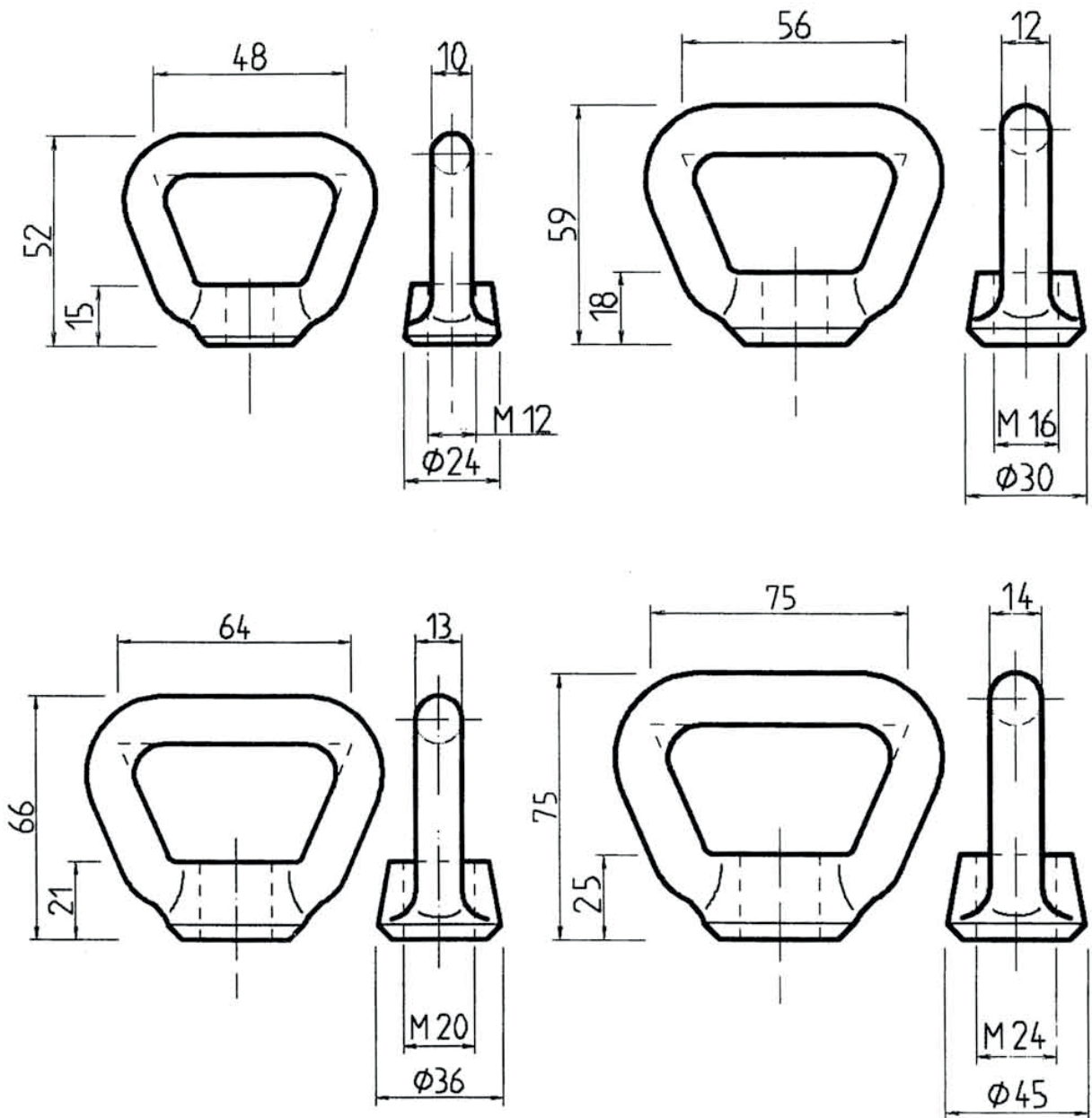
AISI 316 is equal to Werkstoff nr. 1.4408

**THORMARINE**

# TOGGLE

Korfmoer  
Korbmutter  
Ecrou en anse de panier

Messing  
Messing  
Laiton



Part nr.	Material	Type
10.BR.211.0	Brass	M 10 Toggle
12.BR.212.00	Brass	M 12 Toggle
16.BR.213.00	Brass	M 16 Toggle
20.BR.214.00	Brass	M 20 Toggle

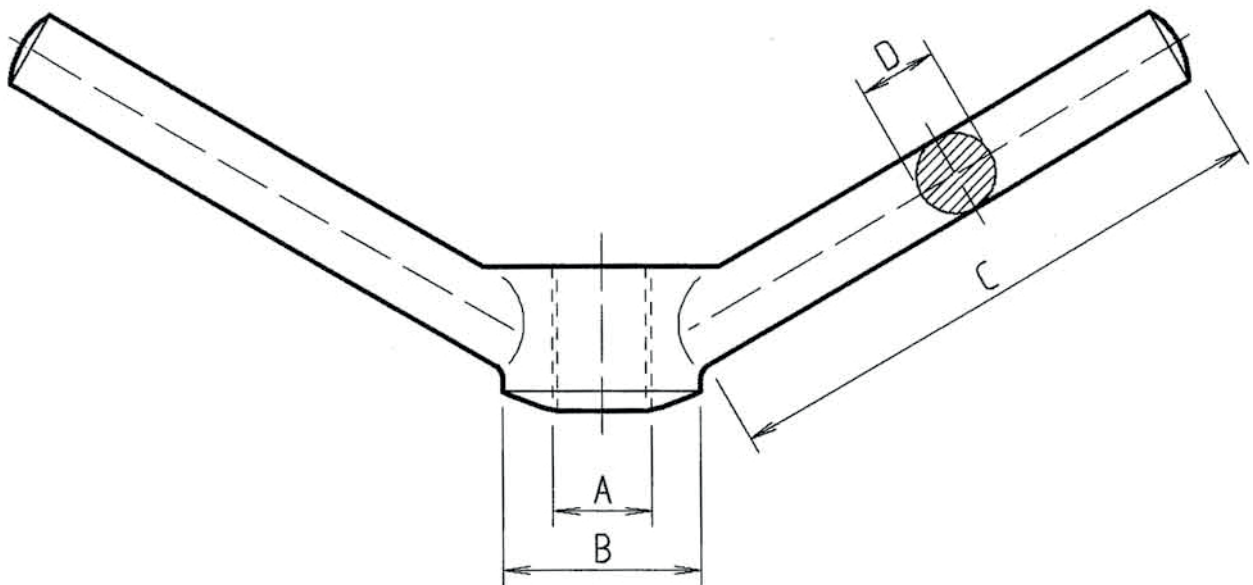
Brass in accordance with DIN 17.673 Blatt 1.  
Dimensions in accordance with DIN 80.704. Material: Cu Zu 40Pb2.

**THORMARINE**

# BUTTERFLY TOGGLE

Knevelmoer  
Knebelmutter  
Ecrou à ailettes

Roestvrij staal/Messing  
Rostfreier stahl/Messing  
Acier inoxydable/Laiton



Part nr.	A	B	C	D	Material
10.SS.220.01	M10	22mm	43mm	10mm	Stainless steel
12.SS.220.02	M12	30mm	58mm	14mm	Stainless steel
16.SS.220.03	M16	32mm	64mm	14mm	Stainless steel
20.SS.220.04	M20	36mm	70mm	15mm	Stainless steel
24.SS.220.05	M24	40mm	76mm	16mm	Stainless steel
10.BR.220.01	M10	25mm	53mm	10mm	Brass
12.BR.220.12	M12	30mm	58mm	14mm	Brass
16.BR.220.13	M16	32mm	64mm	14mm	Brass
20.BR.220.14	M20	36mm	70mm	15mm	Brass
24.BR.220.15	M24	40mm	76mm	16mm	Brass

## THORMARINE

AISI 316 is equal to Werkstoff nr. 1.4408

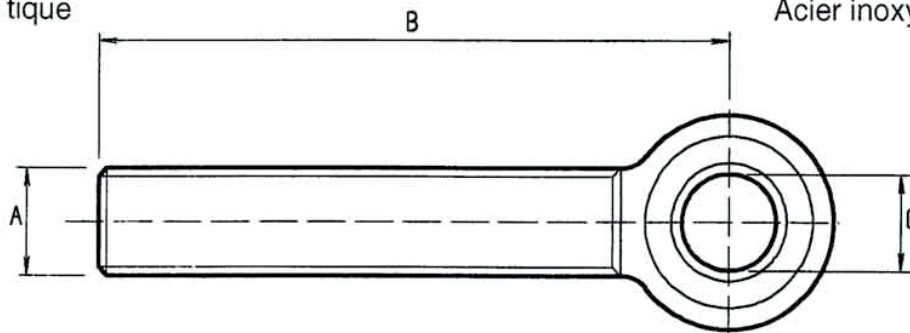
Brass in accordance with DIN 17.673 Blatt 1.

Dimensions in accordance with DIN 80.704. Material: Cu Zu 40Pb2.

# EYE BOLT - FISHERY EYE BOLT

Oogbout  
Augenbolzen  
Piton à tique

Roestvrij staal/Messing  
Rostfreier stahl/Messing  
Acier inoxydable/Laiton



Part nr.	A x B			C	Material
12.SS.310.20	M12	x	100 mm	12 mm	Stainless steel
16.SS.310.21	M16	x	80 mm	18 mm	Stainless steel
16.SS.310.22	M16	x	120 mm	16 mm	Stainless steel
16.SS.310.23	M16	x	120 mm	18 mm	Stainless steel
20.SS.310.25	M20	x	80 mm	18 mm	Stainless steel
20.SS.310.27	M20	x	130 mm	18 mm	Stainless steel
24.SS.310.29	M24	x	180 mm	20 mm	Stainless steel
12.BR.310.10	M12	x	100 mm	12 mm	Brass
16.BR.310.11	M16	x	80 mm	18 mm	Brass
16.BR.310.12	M16	x	120 mm	16 mm	Brass
16.BR.310.13	M16	x	120 mm	18 mm	Brass
20.BR.310.15	M20	x	80 mm	18 mm	Brass
20.BR.310.17	M20	x	130 mm	18 mm	Brass
24.BR.310.18	M24	x	130 mm	20 mm	Brass

**THOR**MARINE

### Bevestigingsbrug:

<u>Artikelcode</u>	<u>maat</u>	<u>materiaal</u>	<u>tekeningnummer</u>
12.SS.315.02	M10/M12	RVS	315.02
16.SS.315.03	M16	RVS	315.03
20.SS.315.02	M20	RVS	315.04
12.AL.316.02	M10/M12	Aluminium	316.02
16.AL.316.03	M16	Aluminium	316.03



- Artikelcode 16.SS.315.03
- Bevestigingsbrug voor M16 rvs
- Tevens verkrijgbaar in de maten M10/M12 Artikelcode 12.SS.315.02 en M20 Artikelcode 20.SS.315.04



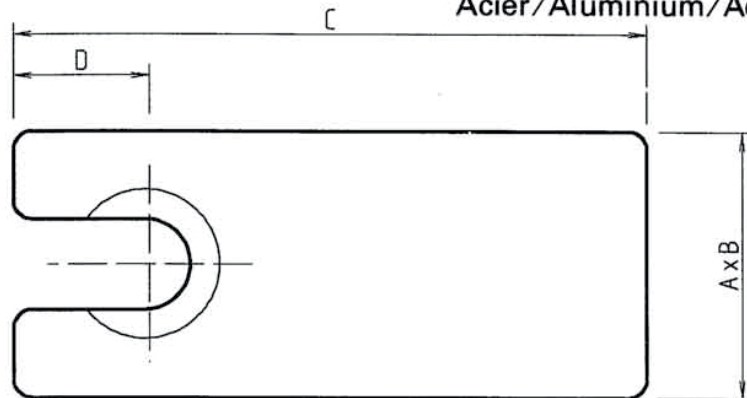
- Artikelcode 16.AL.316.13
- Bevestigingsbrug M16 Aluminium
- Tevens verkrijgbaar in de maten M10/M12 Artikelcode 12.AL.316.12



# CLAMP PLATE

Knevelplaat  
Klemmplatte  
Plaque de serrage

Staal/Aluminium/Roestvrij staal  
Stahl/Aluminium/Rostfreier Stahl  
Acier/Aluminium/Acier inoxydable



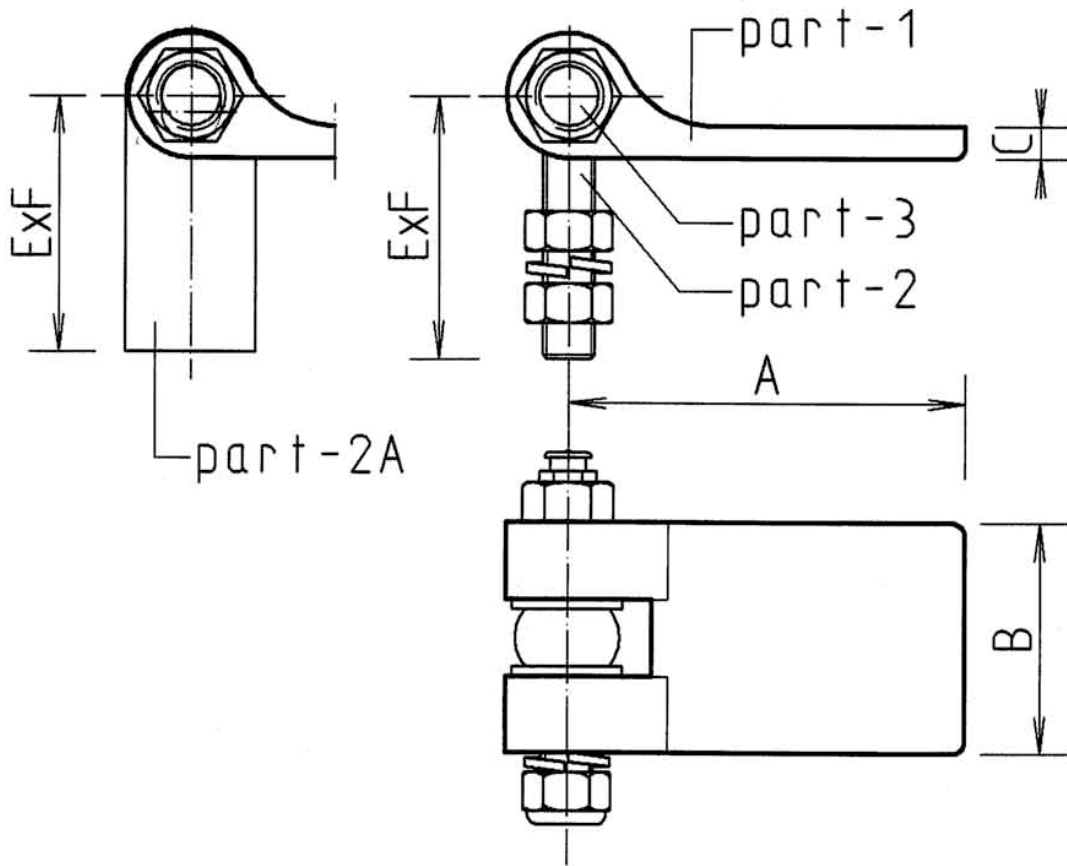
Part nr.	A x B	C	D	Material
12.ST.310.61 16.ST.310.62 20.ST.310.63	40 x 10mm 50 x 12mm 60 x 15mm	100mm 125mm 150mm	20mm 22mm 26mm	Steel Steel Steel
12.AL.310.66 16.AL.310.67 20.AL.310.68	40 x 10mm 50 x 12mm 60 x 15mm	100mm 125mm 150mm	20mm 22mm 26mm	Aluminium Aluminium Aluminium
12.SS.310.71 16.SS.310.72 20.SS.310.73	40 x 10mm 50 x 12mm 60 x 15mm	100mm 125mm 150mm	20mm 22mm 26mm	Stainless steel Stainless steel Stainless steel



# HEAVY DUTY STEEL

## WELD-ON-HINGES FLAT TYPE

Gesmeed scharnier  
 Forged hinge  
 Geschmiedetes Scharnier  
 Charnière forgée



Part No.	Part - 1		Part - 2		Part - 3	
	Material	Dimensions AxBxC	Material	Dimensions ExF	Material	Type
12.ST.370.51	Steel	97 x 50x10mm	Stainless steel	M12x100mm	Stainless steel	Boltspindle
16.ST.370.62	Steel	122 x 70x10mm	Stainless steel	M16x 80mm	Stainless steel	Boltspindle
16.ST.370.63	Steel	122 x 70x10mm	Stainless steel	M16x 120mm	Stainless steel	Boltspindle
20.ST.370.72	Steel	122 x 70x10mm	Stainless steel	M20x 80mm	Stainless steel	Boltspindle
20.ST.370.73	Steel	122 x 70x10mm	Stainless steel	M20x 130mm	Stainless steel	Boltspindle

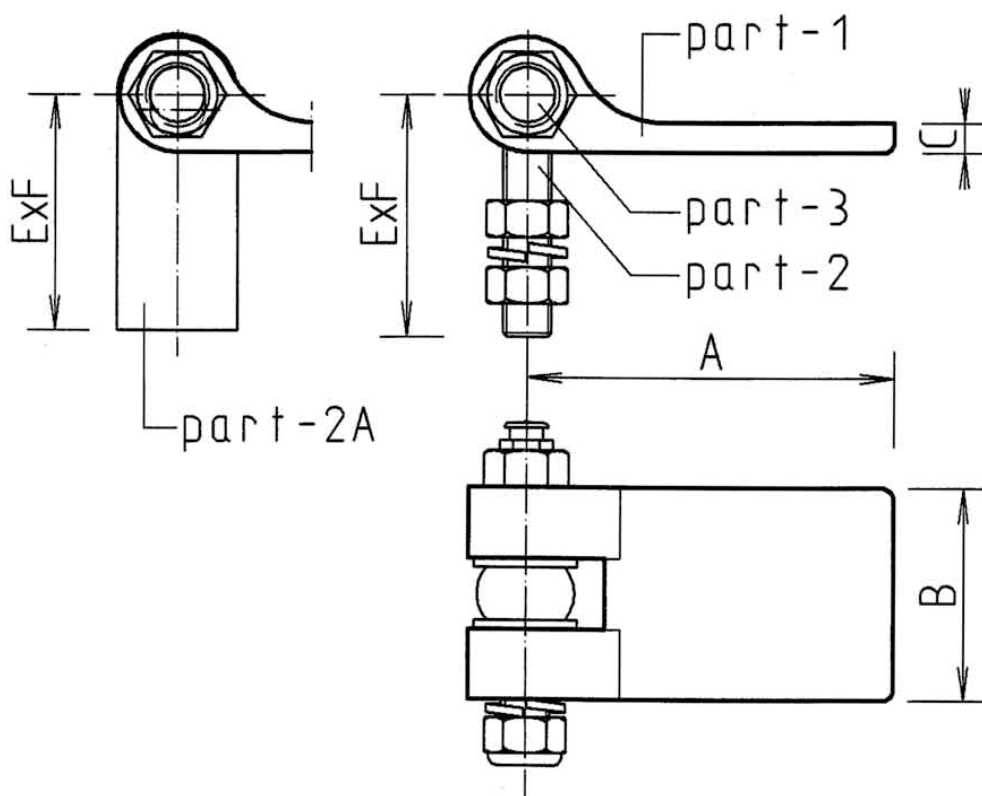
Part No.	Part - 1		Part - 2A		Part - 3	
	Material	Dimensions AxBxC	Material	Dimensions ExF	Material	Type
20.ST.370.82	Steel	122 x 70x10mm	Steel	40x22/87x92mm	Stainless steel	Boltspindle

The doorhinges are supplied complete with 2 nuts and washers each.

**THORMARINE**

# HEAVY DUTY STAINLESS STEEL WELD-ON-HINGES *FLAT TYPE*

Gesmeed scharnier  
Forged hinge  
Geschmiedetes Scharnier  
Charnière forgée



Part No.	Part - 1		Part - 2		Part - 3	
	Material	Dimensions AxBxC	Material	Dimensions ExF	Material	Type
12.SS.370.53	Stainless steel	97x50x10mm	Stainless steel	M12x100mm	Stainless steel	Boltspindle
16.SS.370.67	Stainless steel	122x70x10mm	Stainless steel	M16x 80mm	Stainless steel	Boltspindle
16.SS.370.68	Stainless steel	122x70x10mm	Stainless steel	M16x120mm	Stainless steel	Boltspindle
20.SS.370.77	Stainless steel	122x70x10mm	Stainless steel	M20x 80mm	Stainless steel	Boltspindle
20.SS.370.78	Stainless steel	122x70x10mm	Stainless steel	M20x130mm	Stainless steel	Boltspindle

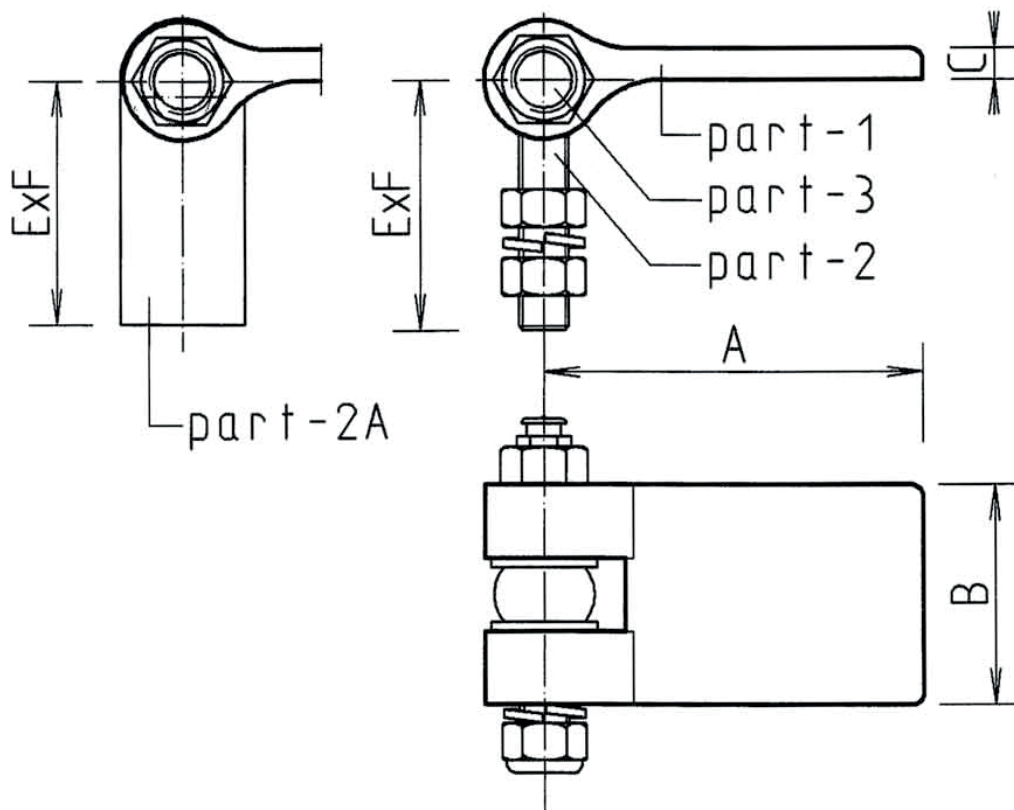
Part No.	Part - 1		Part - 2A		Part - 3	
	Material	Dimensions AxBxC	Material	Dimensions ExF	Material	Type
20.SS.370.87	Stainless steel	122x70x10mm	Stainless steel	40x22/87x92mm	Stainless steel	Boltspindle

The doorhinges are supplied complete with 2 nuts and washers each.

**THOR**MARINE

# HEAVY DUTY STEEL WELD-ON-HINGES CENTER TYPE

Gesmeed scharnier  
Forged hinge  
Geschmiedetes Scharnier  
Charnière forgée



Part No.	Part - 1		Part - 2		Part - 3	
	Material	Dimensions AxBxC	Material	Dimensions ExF	Material	Type
12.ST.380.51	Steel	97x50x10mm	Stainless steel	M12x100mm	Stainless steel	Boltspindle
16.ST.380.62	Steel	122x70x10mm	Stainless steel	M16x 80mm	Stainless steel	Boltspindle
16.ST.380.63	Steel	122x70x10mm	Stainless steel	M16x120mm	Stainless steel	Boltspindle
20.ST.380.72	Steel	122x70x10mm	Stainless steel	M20x 80mm	Stainless steel	Boltspindle
20.ST.380.73	Steel	122x70x10mm	Stainless steel	M20x130mm	Stainless steel	Boltspindle

Part No.	Part - 1		Part - 2A		Part - 3	
	Material	Dimensions AxBxC	Material	Dimensions ExF	Material	Type
20.ST.380.82	Steel	122x70x10mm	Steel	40x22/78x83mm	Stainless steel	Boltspindle

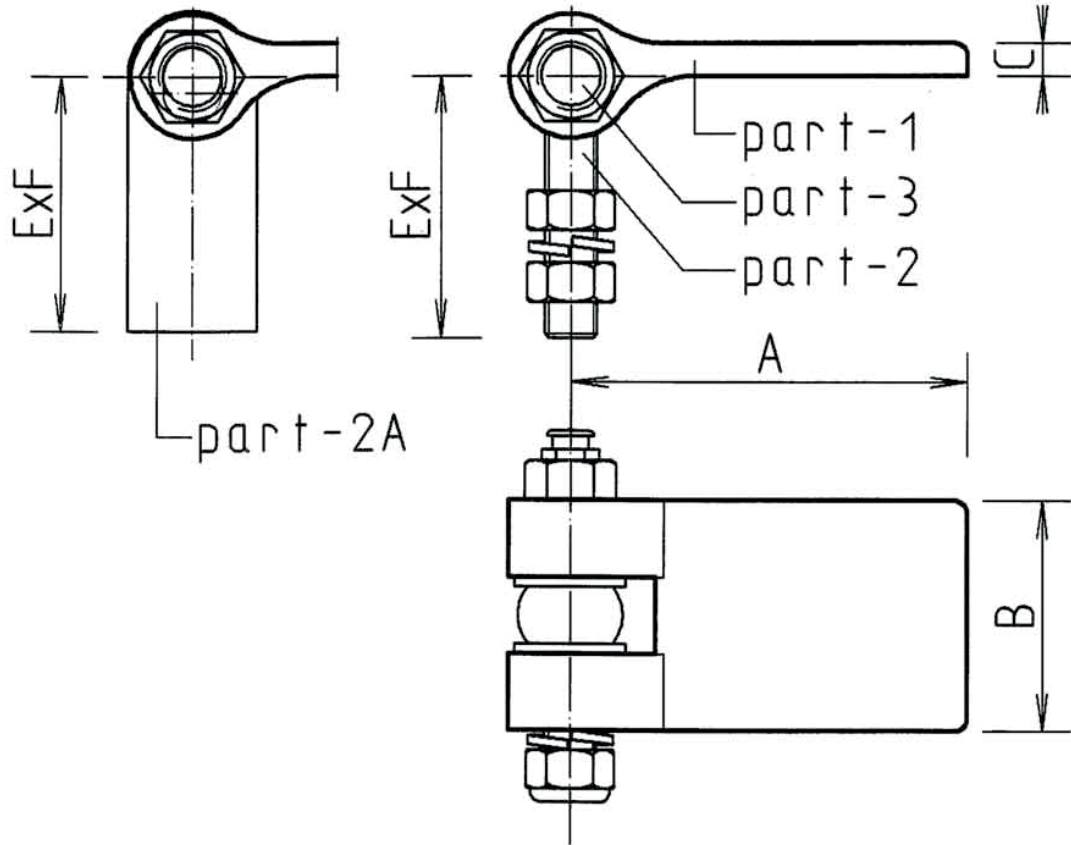
The doorhinges are supplied complete with 2 nuts and washers each.

## THORMARINE



# HEAVY DUTY STAINLESS STEEL WELD-ON-HINGES CENTER TYPE

Gesmeed scharnier  
Forged hinge  
Geschmiedetes Scharnier  
Charnière forgée



Part No.	Part - 1		Part - 2		Part - 3	
	Material	Dimensions AxBxC	Material	Dimensions ExF	Material	Type
12.SS.380.53	Stainless steel	97x50x10mm	Stainless steel	M12x100mm	Stainless steel	Boltspindle
16.SS.380.67	Stainless steel	122x70x10mm	Stainless steel	M16x 80mm	Stainless steel	Boltspindle
16.SS.380.68	Stainless steel	122x70x10mm	Stainless steel	M16x120mm	Stainless steel	Boltspindle
20.SS.380.77	Stainless steel	122x70x10mm	Stainless steel	M20x 80mm	Stainless steel	Boltspindle
20.SS.380.78	Stainless steel	122x70x10mm	Stainless steel	M20x130mm	Stainless steel	Boltspindle

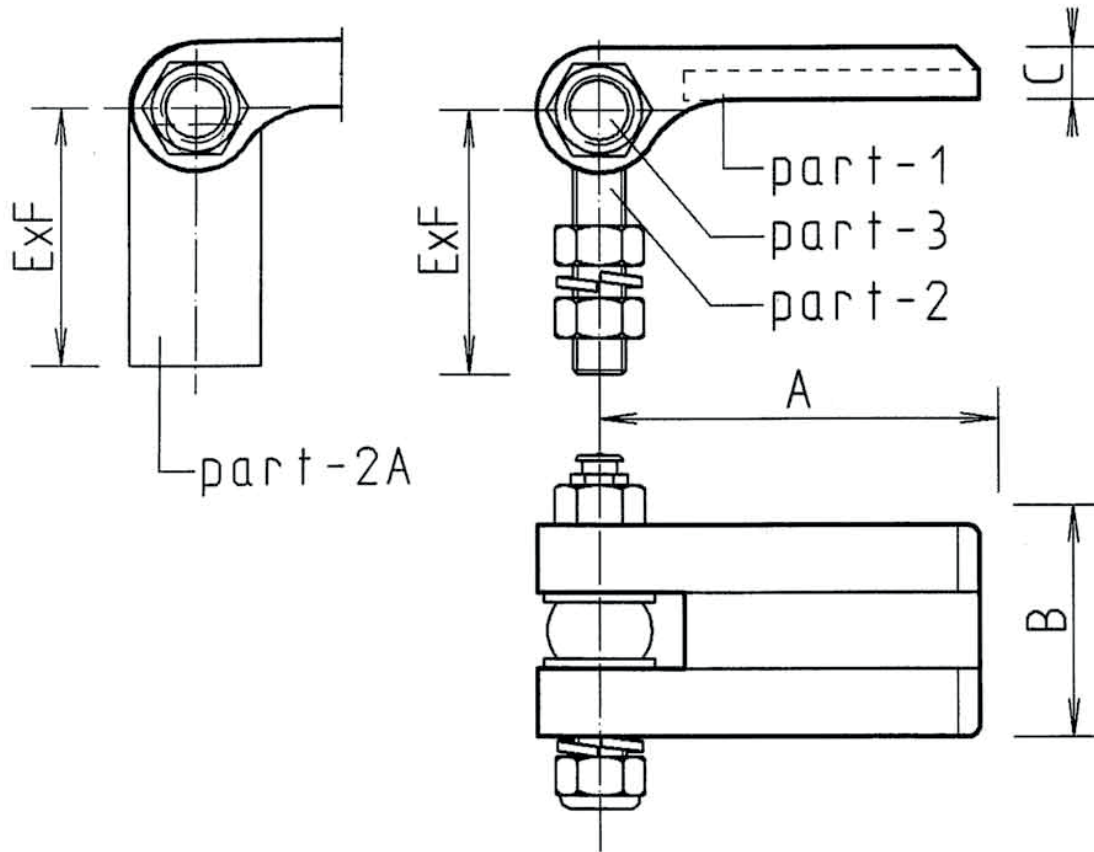
Part No.	Part - 1		Part - 2A		Part - 3	
	Material	Dimensions AxBxC	Material	Dimensions ExF	Material	Type
20.SS.380.87	Stainless steel	122x70x10mm	Stainless steel	40x22/78x83mm	Stainless steel	Boltspindle

The doorhinges are supplied complete with 2 nuts and washers each.

## THORMARINE

# HEAVY DUTY ALUMINIUM WELD-ON-HINGES CENTER TYPE

Gegoten scharnier  
Cast hinge  
Guss Scharnier  
Charnière coulée



Part No.	Part - 1		Part - 2		Part - 3	
	Material	Dimensions AxBxC	Material	Dimensions ExF	Material	Type
12.AL.390.51	Aluminium	97x50x15mm	Stainless steel	M12x100mm	Stainless steel	Boltspindle
16.AL.390.62	Aluminium	120x65x18mm	Stainless steel	M16x80mm	Stainless steel	Boltspindle
16.AL.390.63	Aluminium	120x65x18mm	Stainless steel	M16x120mm	Stainless steel	Boltspindle
20.AL.390.72	Aluminium	120x65x18mm	Stainless steel	M20x80mm	Stainless steel	Boltspindle
20.AL.390.73	Aluminium	120x65x18mm	Stainless steel	M20x130mm	Stainless steel	Boltspindle

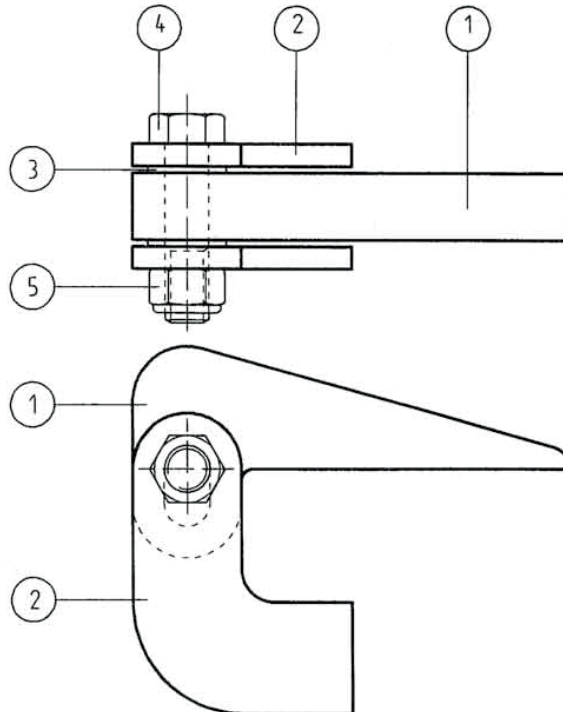
Part No.	Part - 1		Part - 2A		Part - 3	
	Material	Dimensions AxBxC	Material	Dimensions ExF	Material	Type
20.AL.390.33	Aluminium	120x65x18mm	Aluminium	40x20/78x83mm	Stainless steel	Ringspindle
20.AL.390.82	Aluminium	120x65x18mm	Steel	40x20/78x83mm	Stainless steel	Boltspindle
20.AL.390.83	Aluminium	120x65x18mm	Aluminium	40x20/78x83mm	Stainless steel	Boltspindle

The doorhinges are supplied complete with 2 nuts and washers each.

## THORMARINE

# HEAVY-DUTY WELD-ON HATCHCOVER HINGES with elongated hole M20

Zwaar luik scharnier met sleufgat  
 Heavy-duty hatchcover hinge with elongated hole  
 Lukenscharnier für Sohwergebrauch mit Schlitz  
 Charnière à utilisation lourde pour panneau d'écoutille avec rainure



20.ST.320.00				
Pos. No.	Number	Description	Type/drw. No.	Remark
5	1	Selflocking nut	M20	ST DIN 985-8
4	1	Headbolt	M20 x 80mm	ST DIN 933-A2
3	2	Washer	M20 Brass	DIN 125-A
2	2	Inside hatchcover hinge joint M20	320.02	Steel
1	1	Outside hatchcover hinge joint M20 elongated hole	320.01	Steel

20.ST.322.00				
Pos. No.	Number	Description	Type/drw. No.	Remark
5	1	Selflocking nut	M20	ST DIN 985-8
4	1	Headbolt	M20 x 80mm	ST DIN 933-A2
3	2	Washer	M20 Stainless steel	DIN 125-A
2	2	Inside hatchcover hinge joint M20	320.02	Steel
1	1	Outside hatchcover hinge joint M20 elongated hole	320.01	Aluminium

20.AL.324.00				
Pos. No.	Number	Description	Type/drw. No.	Remark
5	1	Selflocking nut	M20	ST DIN 985-8
4	1	Headbolt	M20 x 80mm	ST DIN 933-A2
3	2	Washer	M20 Stainless steel	DIN 125-A
2	2	Inside hatchcover hinge joint M20	320.02	Aluminium
1	1	Outside hatchcover hinge joint M20 elongated hole	320.01	Aluminium

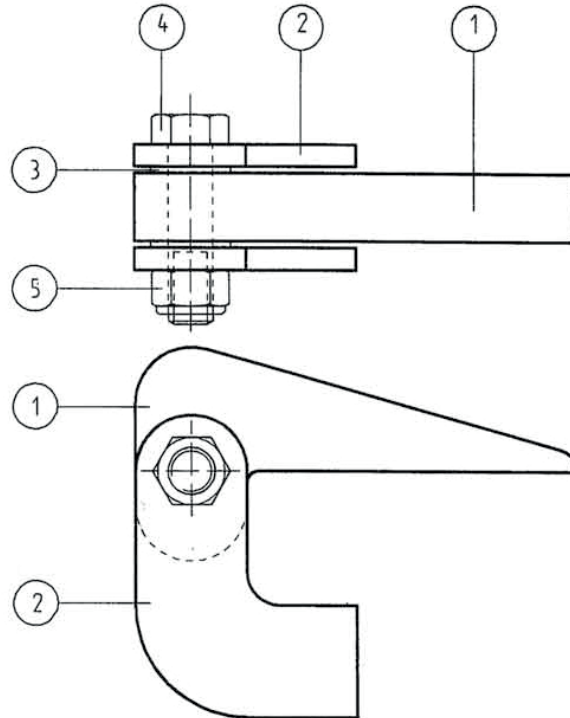
**THOR**MARINE



# HEAVY-DUTY WELD-ON HATCHCOVER HINGES

## M20

Zwaar luik scharnier  
 Heavy-duty hatchcover hinge  
 Lukenscharnier für Schweregebrauch  
 Charnière à utilisation lourde pour panneau d'écouille



20.ST.321.00				
Pos. No.	Number	Description	Type/drw. No.	Remark
5	1	Selflocking nut	M20	ST DIN 985-8
4	1	Headbolt	M20 x 80mm	ST DIN 933-A2
3	2	Washer	M20 Brass	DIN 125-A
2	2	Inside hatchcover hinge joint M20	320.02	Steel
1	1	Outside hatchcover hinge joint M20	321.01	Steel

20.ST.323.00				
Pos. No.	Number	Description	Type/drw. No.	Remark
5	1	Selflocking nut	M20	ST DIN 985-8
4	1	Headbolt	M20 x 80mm	ST DIN 933-A2
3	2	Washer	M20 Stainless steel	DIN 125-A
2	2	Inside hatchcover hinge joint M20	320.02	Steel
1	1	Outside hatchcover hinge joint M20	321.01	Aluminium

20.AL.325.00				
Pos. No.	Number	Description	Type/drw. No.	Remark
5	1	Selflocking nut	M20	ST DIN 985-8
4	1	Headbolt	M20 x 80mm	ST DIN 933-A2
3	2	Washer	M20 Stainless steel	DIN 125-A
2	2	Inside hatchcover hinge joint M20	320.02	Aluminium
1	1	Outside hatchcover hinge joint M20	321.01	Aluminium

**THOR**MARINE

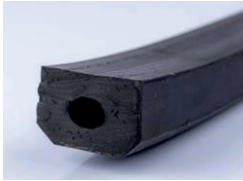


## Luik- en deurrubbers



61.RB.605.20

- Verkrijgbaar per rol van 12,5 meter
- EPDM Rubber met luchtkamer 20×20 mm
- Hardheid rubber: 40° Shore A



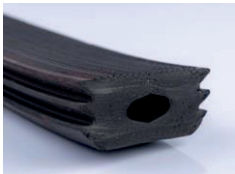
61.RB.605.30

- Verkrijgbaar per rol van 12,5 meter
- EPDM Rubber met luchtkamer 30×20 mm
- Hardheid rubber: 40° Shore A



61.RB.605.35

- Verkrijgbaar per rol van 12,5 meter
- EPDM Rubber met luchtkamer 35×30 mm
- Hardheid rubber: 40° Shore A



62.RB.650.45

- Verkrijgbaar per rol van 10,5 meter
- EPDM volrubber met luchtkamer 43×20 mm
- Hardheid rubber 30° Shore A